










Mounted Wire Brushes

These brushes are very successful in cleaning EDM and deep burrs traces (especially with "Diamond Compound 14/7" Order Code: SDP14).

	Conical & Brass Wired Shank: 3 mm Order: STF158
	Conical & Inox Wired Shank: 3 mm Order: SMF158
	Disc & Brass Wired Shank: 3 mm Order: STF222
	Disc & Inox Wired Shank: 3 mm Order: SMF222
	Flat & Brass Wired Shank: 3 mm Order: STF148
	Flat & Inox Wired Shank: 3 mm Order: SMF148

 As per request: Shank 2.35 mm is available.

Code: **DZ**

Code: **DZL**



Self-adhesive Abrasive Disc

For Abrasive:

 Order: **DZ.. x Grit** Order Example: **DZ18 x 320**

For Holder:

 Order: **DZL.. x Shank** Order Example: **DZL80 x 3**

Code	Abrasive	Grit	Holder	Shank	
DZ10	Ø 10	# 80	Ø 10	3 mm	
DZ18	Ø 18		Ø 18		
DZ30	Ø 30		Ø 30		
DZ45	Ø 45	# 120	Ø 45		6 mm
DZ70	Ø 70	# 220	Ø 70		
DZ80	Ø 80	# 320	Ø 80		
DZ100	Ø 100	# 400	Ø 100		




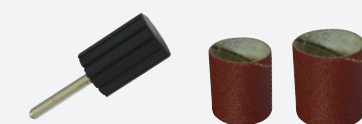
Mini Abrasive Roll Set Code: ML

Mini Abrasive Rolls & Holder Set.
It is sold in package: 5 + 5 coarse - fine grit and holder (10 pcs abrasive + 1 pcs holder).



Order Code	Abrasive	Grit
ML04	Ø 4 x 15 mm	# 120 (5 pcs.)
ML05	Ø 5 x 15 mm	
ML06	Ø 6 x 15 mm	
ML08	Ø 8 x 20 mm	# 320 (5 pcs.)
ML10	Ø 10 x 20 mm	

 As per request: Custom-made orders.



Mini Abrasive Rolls

Order: **Code. Grit** Order Example: **SPZ12. 80**

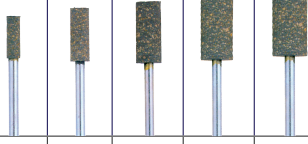

Code	Abrasive	Grit
SPZ12	Ø 12 x 30	# 80
SPZ15	Ø 15 x 30	
SPZ20	Ø 20 x 30	
SPZ25	Ø 25 x 30	# 100
SPZ30	Ø 30 x 30	# 120
SPZ40	Ø 40 x 30	# 220
SPZ50	Ø 50 x 30	
SPZ60	Ø 60 x 35	

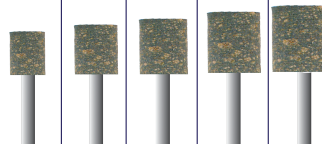
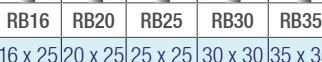
Holder for Abrasive Rolls

Order Code	Holder	Shank - Length
SPL12	Ø 12	Ø 6 - 60
SPL15	Ø 15	Ø 6 - 60
SPL20	Ø 20	Ø 6 - 60
SPL25	Ø 25	Ø 6 - 60
SPL30	Ø 30	Ø 6 - 60
SPL40	Ø 40	Ø 6 - 65
SPL50	Ø 50	Ø 6 - 65
SPL60	Ø 60	Ø 6 - 65



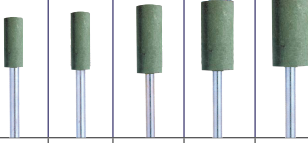

Rubber Mounted Polishing Point Rubber, Soft Type & Finishing

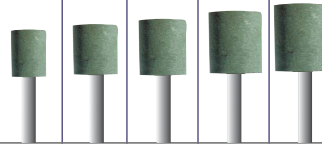
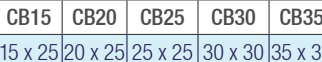
Form RK	Shank 3 mm	Order:	RK04	RK05	RK06	RK08	RK10
		D x L	4 x 13	5 x 15	6 x 17	8 x 20	10 x 20

Form RB	Shank 6 mm	Order:	RB16	RB20	RB25	RB30	RB35
		D x L	16 x 25	20 x 25	25 x 25	30 x 30	35 x 35



Rubber Mounted Polishing Point Ceramic, Hard Type & Pre-polishing

Form CK	Shank 3 mm	Order:	CK04	CK05	CK06	CK08	CK10
		D x L	4 x 13	5 x 15	6 x 17	8 x 20	10 x 20

Form CB	Shank 6 mm	Order:	CB15	CB20	CB25	CB30	CB35
		D x L	15 x 25	20 x 25	25 x 25	30 x 30	35 x 35



Polishing Rubbers

Cylinder (Ø6x22) Order: **Disc (Ø20x3)** Order:
Red (medium) : KK06 Red (medium) : DK06
Black (hard) : KS06 Black (hard) : DS06
Mandrel : DM03 Mandrel : VM03