

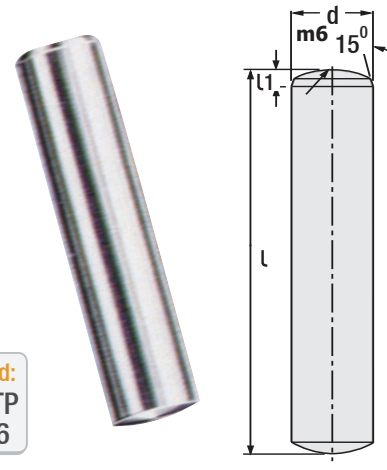
Kod:  
DTP  
h7

Tolerans  
**h7**

Düz, Tespit Pimi  
DIN 6325 / ISO 9734

Boşluklu

d	l	l1	r	d	l	l1	r	d	l	l1	r	
Ø 5 mm	10	1.2 mm	5	Ø 8 mm	40	2 mm	8	Ø 14 mm	30	3.5 mm	14	
	16				45				40			
	20				50				45			
	24				55				45			
	30				60				50			
	36				70				60			
	40				80				70			
	45				90				80			
	50				100				90			
	55				120				100			
	60				20				120			140
	70				24				140			30
	80				30				36			36
	Ø 6 mm				10				1.5 mm			6
16		50	45									
20		55	50									
24		60	60									
30		70	70									
36		80	80									
40		90	90									
45		100	100									
50		120	120									
55		140	140	30								
60		20	36	40								
70		24	45	45								
80		30	50	55								
90		36	60	60								
100	40	70	70									
Ø 8 mm	10	2 mm	8	Ø 12 mm	55	3 mm	12	Ø 20 mm	55	5 mm	20	
	16				60				60			
	20				70				70			
	24				80				80			
	30				90				90			
	36				100				100			
	40				120				120			
	45				140				140			70
	50				80				80			
	55				90				90			
60	100	100										
65	120	120										
70	140	140	150									



Kod:  
DTP  
m6

Tolerans  
**m6**

Düz, Tespit Pimi  
DIN 6325 / ISO 9734

Sıkı Geçme

d	l	l1	r	d	l	l1	r	d	l	l1	r	
Ø 3 mm	10	0.8 mm	3	Ø 8 mm	40	2 mm	8	Ø 14 mm	30	3.5 mm	14	
	16				45				40			
	20				50				45			
	24				55				45			
	30				60				50			
	36				70				60			
	40				80				70			
	45				90				80			
Ø 4 mm	10	1 mm	4	Ø 10 mm	55	2.5 mm	10	Ø 16 mm	50	4 mm	16	
	16				60				60			
	20				70				70			
	24				80				80			
	30				90				90			
	36				100				100			
	40				120				120			
	45				140				140			30
	50				20				36			40
	55				24				45			45
60	30	50	55									
Ø 5 mm	10	1.2 mm	5	Ø 12 mm	60	3 mm	12	Ø 20 mm	60	5 mm	20	
	16				65				65			
	20				75				75			
	24				85				85			
	30				95				95			
	36				105				105			
	40				120				120			
	45				140				140			70
	50				80				80			
	55				90				90			
	60				100				100			
	65				120				120			
	70				140				140			150
	Ø 6 mm				10				1.5 mm			6
16		70	70									
20		80	80									
24		90	90									
30		100	100									
36		110	110									
40		120	120									
45		140	140	75								
50		85	85									
55		95	95									
60		105	105									
65		120	120									
70		140	140	150								



Sipariş:  
DTP h7. d x l

Malzeme: 1.7131 (16MnCr 5)  
Sertlik: 60 - 62 HRC (derinlik 0.8)



Sipariş:  
DTP m6. d x l

Sipariş Örneği:

DTPm6. 10 x 30

