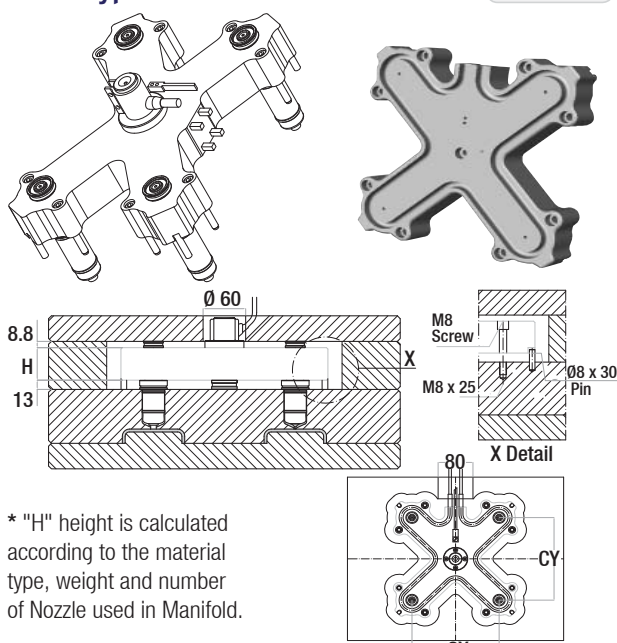


"MX" Type Manifold for Hot Runner

Code: **MX**



* "H" height is calculated according to the material type, weight and number of Nozzle used in Manifold.

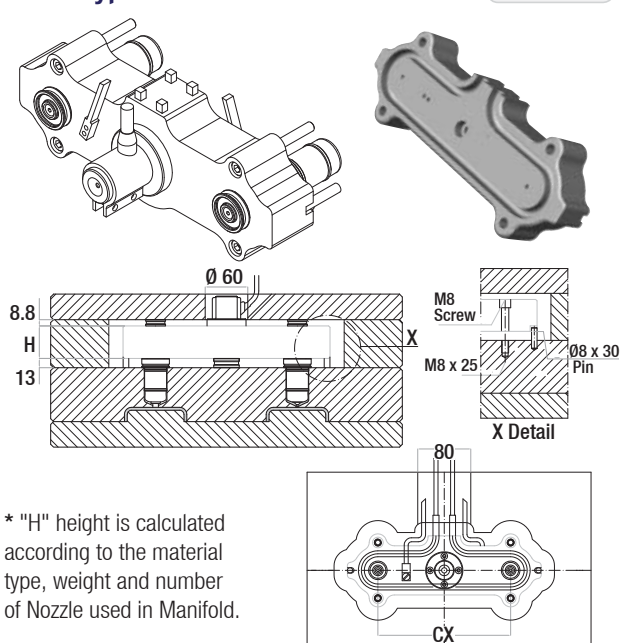
Order Example:

MX.XX.KA.CX.CY
 — "Y" Axis Range
 — "X" Axis Range
 — Nozzle Number
 — Nozzle Diameter
 — Manifold Type

Manifold Type	Nozzle Diameter	Number of Nozzle			Axis Range
MX	18	04	08	16	CX CY
	22				
	25				
	32				
	40				

"MI" Type Manifold for Hot Runner

Code: **MI**



* "H" height is calculated according to the material type, weight and number of Nozzle used in Manifold.

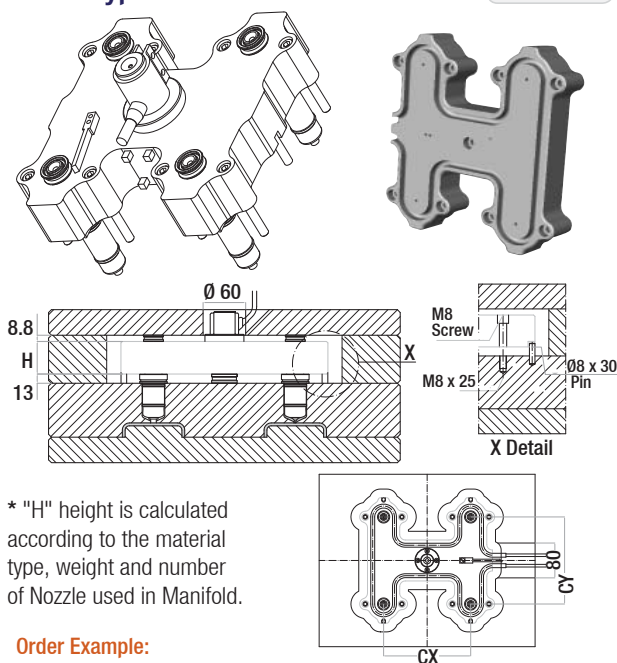
Order Example:

MI.XX.KA. CX
 — "X" Axis Range
 — Nozzle Number
 — Nozzle Diameter
 — Manifold Type

Manifold Type	Nozzle Diameter	Number of Nozzle			Axis Range	
MI	18	02	04	08	16	CX
	22					
	25					
	32					
	40					

"MH" Type Manifold for Hot Runner

Code: **MH**



* "H" height is calculated according to the material type, weight and number of Nozzle used in Manifold.

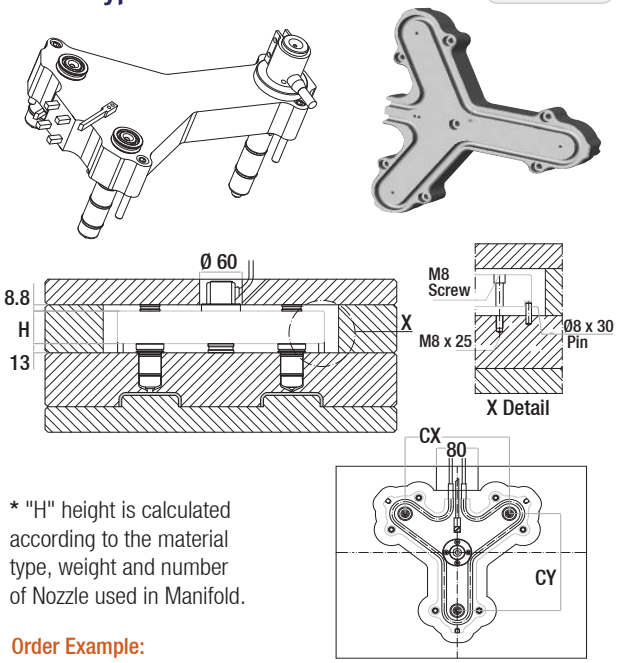
Order Example:

MH.XX.KA.CX.CY
 — "Y" Axis Range
 — "X" Axis Range
 — Nozzle Number
 — Nozzle Diameter
 — Manifold Type

Manifold Type	Nozzle Diameter	Number of Nozzle			Axis Range
MH	18	08	16	32	CX CY
	22				
	25				
	32				
	40				

"MY" Type Manifold for Hot Runner

Code: **MY**



* "H" height is calculated according to the material type, weight and number of Nozzle used in Manifold.

Order Example:

MY.XX.KA.CX.CY
 — "Y" Axis Range
 — "X" Axis Range
 — Nozzle Number
 — Nozzle Diameter
 — Manifold Type

Manifold Type	Nozzle Diameter	Number of Nozzle			Axis Range
MY	18	02	04	08	CX CY
	22				
	25				
	32				
	40				