



Code: **MK1MIP2**

Micro Limit Switch with Long Plastic Roller

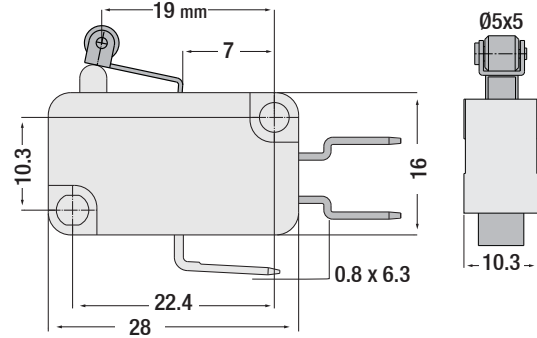
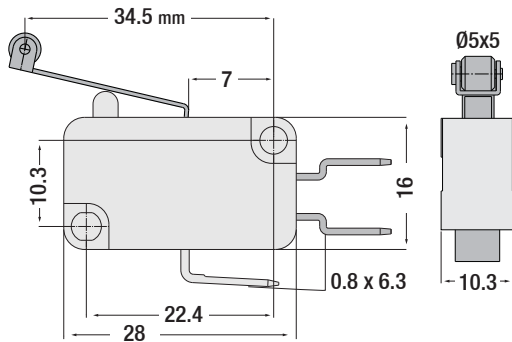
Movement Limit Switches for Ejector Plate, Stripper Plate and Side Lifters



Code: **MK1MIP1**

Micro Limit Switch with Short Plastic Roller

Movement Limit Switches for Ejector Plate, Stripper Plate and Side Lifters



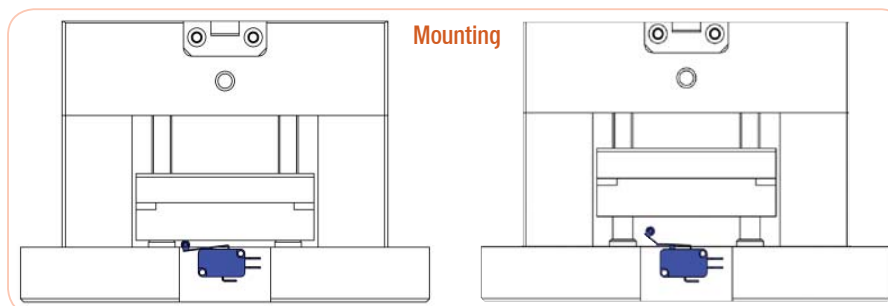
Technical Specifications / All "MK1MIP" types have similar specifications:

- Mechanical Life** : 10.000.000 Opening-Closing min.(60rpm)
- Electrical Life** : 100.000 Opening-Closing min.(30rpm)
- Operating Temperature** : - 15 / +125°C
- Protection Class** : IP20
- Operating Voltage (Ue)** : 250V AC
- Operating Current (Ie)** : 10 (4) A
- Isolation Voltage (Ui)** : 660V
- Impact Resistance Voltage** : 2.5kV
- Short Circuit Breaking Capacity** . : 1 kA
- Operating Frequency (f)** : 50 / 60 Hz.
- Isolation Resistance** : 10 MΩ min. (500V DC)
- Usage Class** : AC15 - AC3
- Dielectric Resistance** : 1.500V AC (for 1 minute)
- Pollution Degree** : 3
- Standard** : TS EN 60947-5-1

All "MK1MIP" types have similar specifications:

- Compact design.
- Product variety for wide application areas.
- Long life switches & high contact reliability.
- Material having "VO" feature which increases product reliability.
- It ensures all movable parts such as Ejector Group / Ejector Plate, Stripper Plate, Side Lifters etc. operating with injection machine in a harmony.
- Switch cables will be provided by the user.
- Min. 8 x 8mm cable slots are recommended.
- Please do switch connection according to the contact scheme specified in the catalogue.

Order	Contact Structure	Contact Scheme	Sensor Type	Sensor Material
MK1MIP1	Changable Contact	NO 4	Lever Roller	Plastic
MK1MIP2				
MK1MIP3				



Micro Limit Switch with Plastic Bent Roller

Code: **MK1MIP3**

* Please contact with Guvenal sales dept. for different types of Limit Switches