



Code: ELM

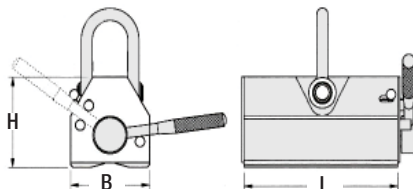
Permanent Lifting Magnet

Safety Factor: x3.5 times

It features powerful magnetic force, with 3.5 times safety factor makes more safety in use. It is very practical, suitable for move plate steel, block steel and round steel, such as dies, moulds, machine parts and iron materials etc..

It is designed according to the self temporary continuous magnetic carrier block rotary pole logic. When ON - OFF open - close position is on the workpieces, it is taken / turned on / open position. When it is in idle position, it absolutely should be in OFF / close position.

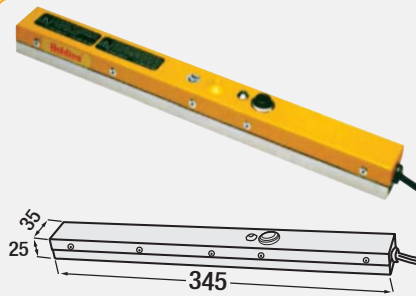
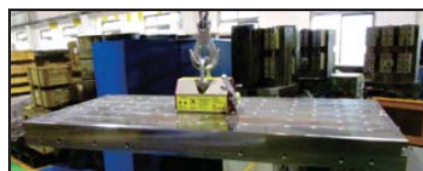
Carrying capacity can change according to the surface cleaning, thickness, quality, planarity and shape (flat / round) of metal material, also magnetic block and interval of workpiece. It does not require any power supply. There is no relation with electric interruptions, thus eliminating hazards due to failure wiring system as electric type. The handling ring is movable and it is compatible with balanced load bearing. It lifts and handles the load and it is easy to mount.



Code: ELM

Order Code	Dimensions	Min. Thickness	Lifting Capacity (Kg.)	Safety Factor	Weight Kg.
	B x L x H (mm)				
ELM100	60 x 84 x 71	15mm	100	x3.5	2.5
ELM300	90 x 155 x 93	25mm	300		8.6
ELM600	115 x 224 x 120	30mm	600		21
ELM1000	165 x 245 x 169	40mm	1000		46
ELM2000	216 x 360 x 215	55mm	2000		118
ELM3000	216 x 530 x 222	60mm	3000	x3.0	181

Note: You can request the full dimensions of the "ELM" product from our company.



Demagnetizer Rod for inside of Die & Mould

Code: EHDB210



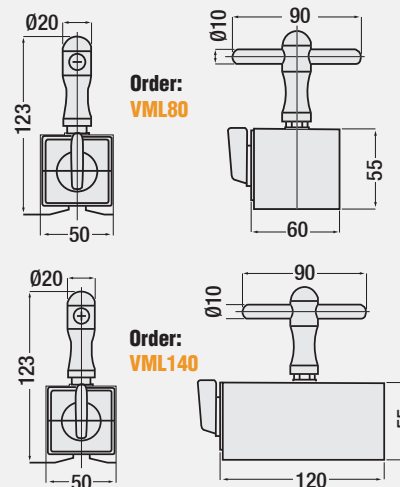
It especially eliminates magnetization generated on die plates and guide bushes and it protects them against burrs and magnetic effects. It works excellent in places which are narrow and hard to reach in wide surfaces without demounting die / mould. The EHDB product demagnetizes the area with magnetic eliminating effect. It prolongs life of dies / moulds and components. By waiting 4 minutes, it eliminates magnetic effect in the area in 1 minute, mobile / travel unit are used in any area.

Order	Current	Voltage	Effect Area	Weight
EHDB210	1.2 A	220 V	100 mm	1 Kg.



Magnetic Lifter

Code: VML



Carrying Capacity: VML.80 (80 Kg) / VML.140 (140 Kg).
Unit Weight: VML.80 (1.2 Kg) / VML.140 (2.2 Kg).
It holds work pieces easily and elastically and is a useful carrying product.

NEW



Order Code: VTM13

Magnetic Tapper Stand

Magnetic base unit travels on workpieces, it is easy to use with on-off system. It helps tapping on workpieces which are too heavy to carry without moving them. It is easy and quick to replace tapping thanks to tap chuck spanner. Flawless tapping is ensured during tapping of all components. It provides you to tap in absolute 90° precision which allows using of all kinds of tapping sets. This way, the risk of breaking of tapping set is eliminated. Besides, it provides precision and rigid tapping. Especially, it makes it easy to precision tapping even in all kinds of thread surfaces of machines and in mould plug holes and horizontal / vertical side walls thanks to its magnetic base.

- * Tap Chuck Capacity: M3-M12
- * Max. Operating Distance: 60 mm
- * Magnetic Holding Force: 80 Kgf.
- * Horizontal / Vertical Clamping

