

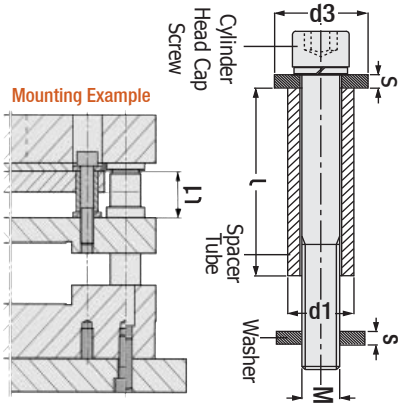


Spring and Spacer Unit Code: **G71**

Assembly of Spring and Spacer Unit:

Spring and Spacer Units are ground equally after mounted to punch retainer plate. When punches are ground due to abrasion, for loosing unit as 0.1 mm, the length of junction should adjust.

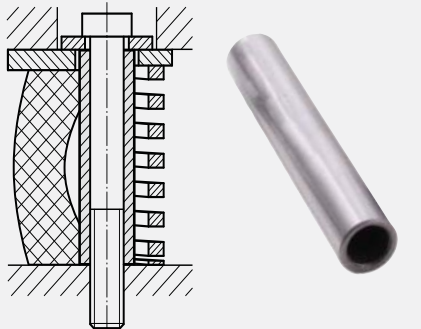
Note: This product is with o-ring and o-ring should be removed before mounting.



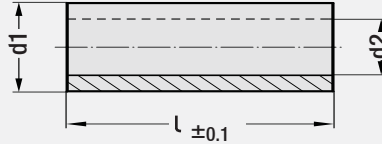
Code: **G71**

d1	l1	d3	l	s	M
13	33	18	29	4	M8 x50
	43		39		M8 x60
	53		49		M8 x70
	63		59		M8 x80
	73		69		M8 x90
15	33	20	29	4	M10 x60
	43		39		M10 x70
	53		49		M10 x80
	63		59		M10 x90
	73		69		M10 x100

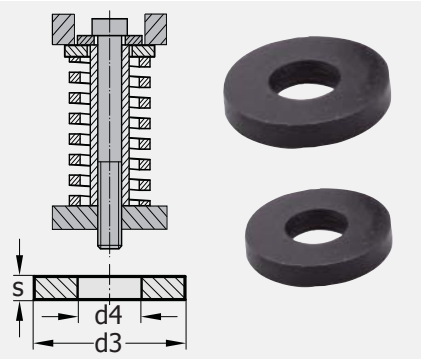
Order: **G71**. d1x l1 Material: 1.7131
Hardness: 58 ± 2 HRC



Spacer Tube Code: **G71B**



Order Code	d1	l	d2
G71B.1329	13	29	8.2
G71B.1339		39	8.2
G71B.1349		49	8.2
G71B.1359		59	8.2
G71B.1369		69	8.2
G71B.1529	15	29	10.2
G71B.1539		39	10.2
G71B.1549		49	10.2
G71B.1559		59	10.2
G71B.1569		69	10.2

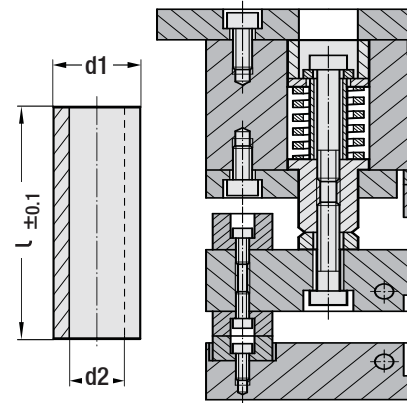


Washer Code: **G71P**

Order Code	d3	d4	s
G71P.18	18	8.4	4
G71P.20	20	10.5	4



Spacer Tube Code: **G71Y**



Code: **G71Y**

d1	l	d2	d1	l	d2
Ø 20 Spring	20	6.5	Ø 40 Spring	30	13
	25			40	
	30			50	
	32			63	
	40			80	
	50			100	
	63			125	
	80			140	
Ø 25 Spring	20	8.5	Ø 50 Spring	40	17
	25			50	
	30			63	
	40			80	
	50			100	
	63			125	
	80			140	
	100			160	
Ø 32 Spring	30	11	Ø 63 Spring	63	25
	40			80	
	50			100	
	63			125	
	80			140	
	100			160	
	125			200	
	140			250	

Order: **G71Y**. d1x l Material: 1.7131
Hardness: 58 ± 2 HRC