

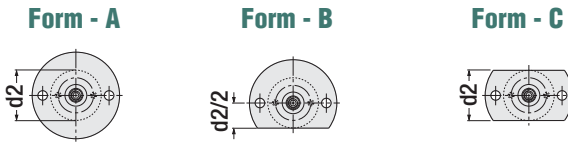
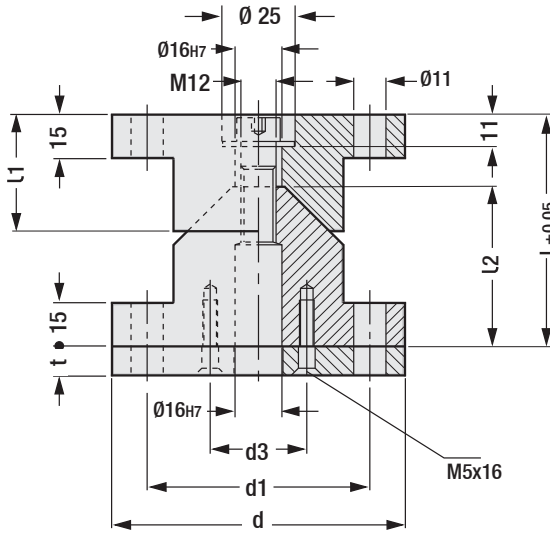


### Locating Cone

Code: **G64**

Shim plates are with the unit in thickness (t) specified dimensions as a standard. Except this, other form (A - B - C) shim plates can be ordered as per request. Mounting screws are excluded.

Material: 1.7131 / Hardness: 60 - 64 HRC



Code: **G64**

d	l	d1	d2	d3	l1	l2	t	Form
100	80	76	58	40.5	40	55	5.5	A
120	90	96	78	50.5	50	65		
100	80	76	58	40.5	40	55	5.5	B
120	90	96	78	50.5	50	65		
100	80	76	58	40.5	40	55	5.5	C
120	90	96	78	50.5	50	65		
100	80	76	58	40.5	40	55	10	A
120	90	96	78	50.5	50	65		
100	80	76	58	40.5	40	55	10	B
120	90	96	78	50.5	50	65		
100	80	76	58	40.5	40	55	10	C
120	90	96	78	50.5	50	65		
100	80	76	58	40.5	40	55	10.5	C
120	90	96	78	50.5	50	65		

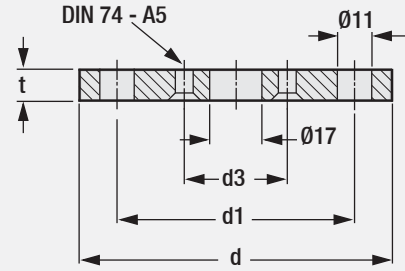
Order: **G64. d x l x t x Form**

Order Example: **G64. 120 x 90 x 10 x A**

### Shim Plate for Locating Cone

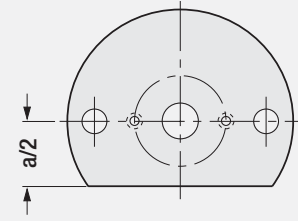
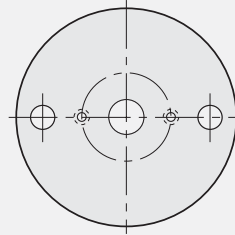
Code: **G64A**

(Custom-made products as per request)

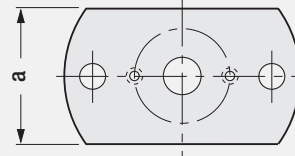


Form - A

Form - B



Form - C



Note: Fixing screws will be provided separately.

Code: **G64A**

d	t	d1	d3	a	Form
100	5.5	76	40.5	58	A
120		96	50.5	78	
100	5.5	76	40.5	58	B
120		96	50.5	78	
100	5.5	76	40.5	58	C
120		96	50.5	78	
100	10	76	40.5	58	A
120		96	50.5	78	
100	10	76	40.5	58	B
120		96	50.5	78	
100	10	76	40.5	58	C
120		96	50.5	78	
100	10.5	76	40.5	58	C
120		96	50.5	78	

Order: **G64A. d x t x Form**

Material: 1.0503 (CK45)