

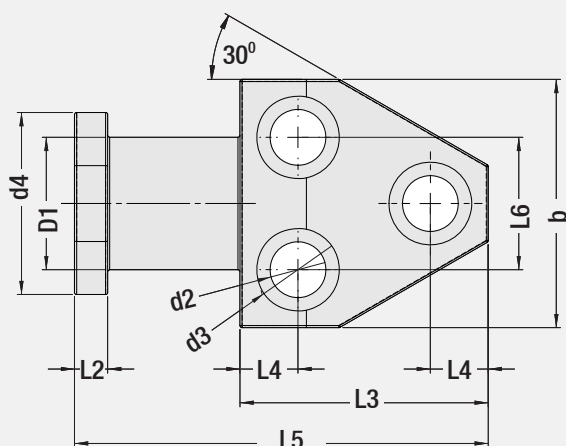
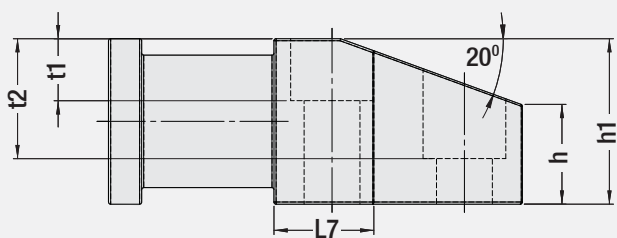
NEW



CE

Die Lifting Lug

Code: G160



Due to safety reasons, die weight should not exceed maximum load that 2 lifting lugs can bear.

Code: G160

D1	b	d2	d3	d4	h	h1	L2	L3
32	60	13.5	20	44	24	40	8	60
40	80	17.5	26	60	32	50	10	70
50	100	22	33	70	40	65	12	88

D1	L4	L5	L6	L7	t1	t2	Max. Load Kg.
32	14	100	32	24	15	29	2000
40	16	120	44	26	20	35.5	3500
50	20	145	56	30	25	46.5	6000



Order: G160. D1



Order Example: G160.50

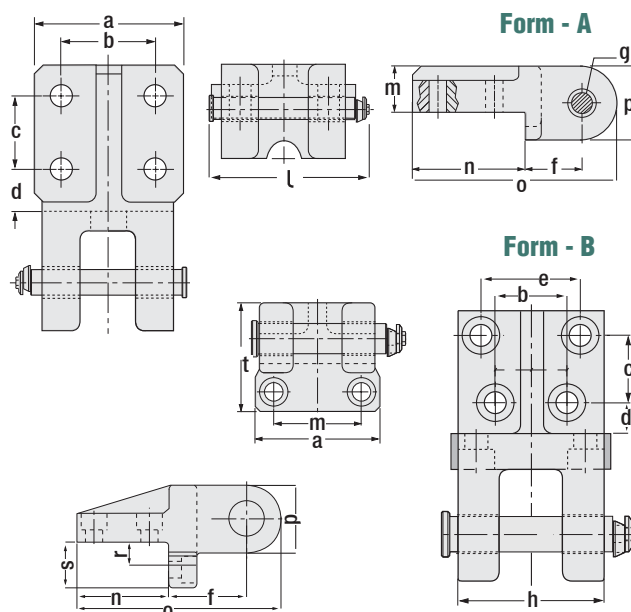


CE

Die Lifting Bracket - FCA

Code: G53

Reference: FCA Norm STQ 40001 04 / 12 / 2014



Code: G53

a	b	c	d	e	f	Form	Max. Load Kg.	Max. Capacity Kg.
80	50	40	22.5	-	39	Form A	600	1200
90	60	40	27.5	-	42		1000	2000
100	65	65	32.5	-	60		2000	4000
135	56	60	20	84	85	Form B	4000	8000
180	80	70	30	110	100		7000	14000

a	g	h	l	m	n	o	r	s	t	p
80	16	70	102.5	32	80	145	-	-	-	52
90	21	79	113.5	36	90	160	-	-	-	56
100	26	90	128.5	50	120	215	-	-	-	70
135	34	125	166.5	96	100	221	30	50	111	72
180	44	160	210.5	130	125	270	35	60	40	90



Order: G53. a x Form



Order Example: G53. 80. A