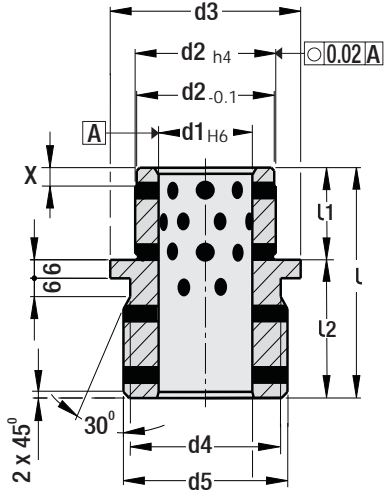


Code: G45
Guide Bush with Centre Collar, Self-Lubricating
 DIN 9834 / ISO 9448



Heat Resistance: < 150°C

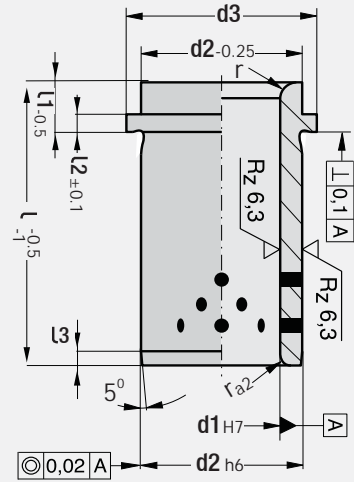


d1	l	d2	d3	d4	d6	d5	L1	L2
19 20	32	32	40	32	57.4	-	20	12
	50					34		30
	70					34		50
24 25	35	40	48	40	65.4	-	23	12
	60					42		37
	80					42		57
32 30	42	48	56	48	73.4	-	30	12
	75					50		45
	95					50		65
38 40	50	58	66	58	83.4	-	35	15
	80					60		45
	110					60		75
48 50	65	70	80	70	97.4	-	45	20
	90					74		45
	120					74		75

Code: G44
Guide Bush with Collar, Self-Lubricating
 DIN 9834 / ISO 9448

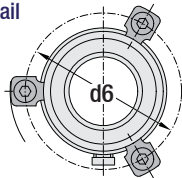


Heat Resistance: < 150°C



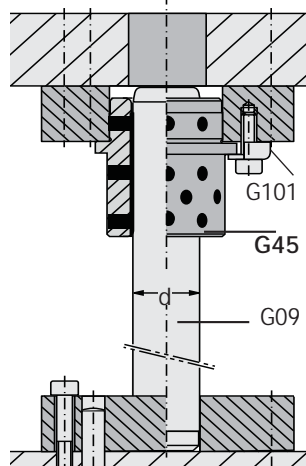
d1	l	d2	d3	d6	L1	L2	L3	r	ra2
20	32	28	34	53.4	12	6.3	3.0	3	1
25	40	32	40	57.4	10	6.3	3.0	3	1
30	50	40	50	65.4	12	6.3	4.0	3	1
32	50	40	50	65.4	12	6.3	4.0	3	1
40	63	50	63	G102 B or G102 C	15	6.3	5.0	3	1
50	71	63	71	G102 B or G102 C	17	6.3	6.3	5	1
63	80	80	90	122.4	19	10	8.0	6	1
80	100	100	112	142.4	22	10	10	8	1
100	125	125	140	167.4	21	10	12.5	10	1
125	160	160	180	202.4	30	10	16	12	1
160	200	200	220	242.4	32	10	16	18	1

Clamping Detail



G101A
 X = 3 mm : 19-20
 X = 6 mm > 20

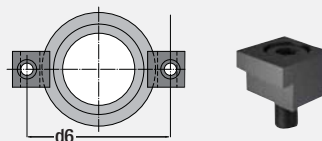
Order: **G45**. d1 x l
 Material: Bronze + graphite inserts



IMPORTANT!
 Self-lubricating components should be lubricated once in order to activate permanent lubricating at the first use.

Clamping Detail

Code: **G102 Form - D**



Order: **G44**. d1 x l
 Material: Bronze + graphite inserts

