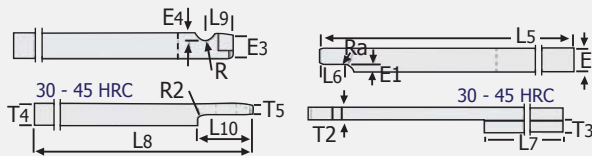
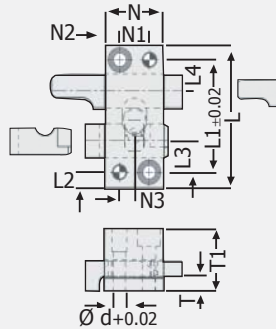
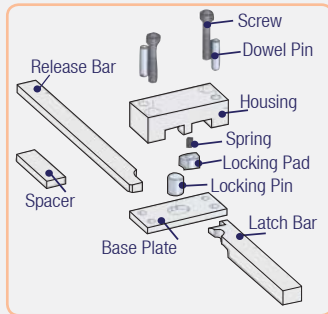


Latch Lock Unit

Code: **KAU**

The unit is heat-treated. Safe and reliable with its double sided lock system. It is for two-stage (stripper plate) moulds. The unit can easily mounted due to its compact design. Opening priority of plates relates to the mounting direction of unit. During mounting, after selecting desired stroke, the other Latch Bar is secured.



Parallel Mounting of Latch Lock Unit:

- Install the Housing parallel to the parting line face.
- Adjust or cut Latch Bar to required length.
- Open hole positions of screws, tight Latch Bar with screw on their position. Complete adjusting position with compatible parts, form the dowel holes and fix the Latch Bar.
- Cut the Release Bar in required length and install it perpendicular to the mould. Make the overhang length "L" of each release bar the same for equal of release points on each sliding.

* At least 2 Latch Lock Units are required, which are respectively mounted at outer surfaces (center of the mould). Units must be mounted symmetrically in such a way as to prevent tilting of the plate.

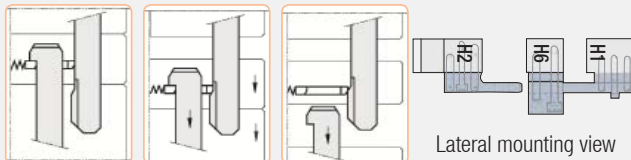
IMPORTANT:

The operation test should be performed for your mould exactly. Please check motion sequence of bars and stripper plate. Fine adjustment is necessary. You should repeat this procedure until both Latch Locks work together exactly. The moving parts can be lubricated.

Order	L	L1	L2	L3	L4	L5	L6	L7	L8	L9	L10	N
KAU.55	55	43	6	12	12	150	12	40	100	14	28	24
KAU.67	67	53	7	15	14	200	16	50	150	18	36	32

N1	N2	N3	d	E	E1	E3	E4	R	Ra	T	T1	T2	T3	T4	T5
12	6	6	5	13	4	13	4	5	5	5	24	6	5.5	11.5	6
16	8	8	6	16	5	18	5	6	6	6	32.5	10	6.5	16.5	10

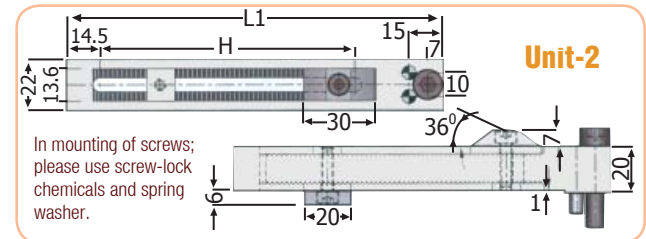
Mounting and mould opening positions:



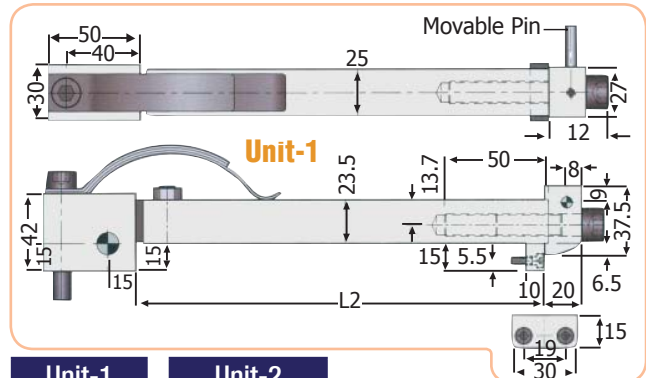
Latch Lock (Mould Plate Parting Combination) Code: **BOX**

In this combination system; Unit-2 consist of fixed and Unit-1 is consist of movable group. While mould is opened, movable 1.Unit (Unit-1 with leaf spring) is moved on fixed Unit-2 on sliding. While pin of leaf spring group (Unit-1) is passed over elevation on fixed group (Unit-2), hook is released and 2. stripper group of mould starts to open. One of the products always used to move of free plates, such as those for the removing, is the BOX. It is composed by a supporting bar, determining the stroke of the plate to be moved, and a lever which properly positioned, allows the drag and release.

Both units should be parting well-timed. Incorrect mounting causes tapering and bending of movable plate or breaking of unit lever. Units should be adjusted before mould is closed, open mould and control movable plate and movements of levers (fine adjustment is required). Please apply it until released / movable levers are fully operating with each other with leaf spring and locks. Then released lever will become centred / linked with Unit-1. While these operations continue, please lubricate movable parts of units with thin grease oil. In mounting, impacts and strokes of plate should be considered. During and after mounting, screws and other fasteners should be controlled. In part replacement; first, it should be started by dismantling Unit-1.



In mounting of screws; please use screw-lock chemicals and spring washer.



Unit-1	Unit-2
L2	L1 H
90	140 83.5
170	204 152
220	254 198

Order	L1	H	L2
BOX460.140	140	83.5	90
BOX460.204	204	152	170
BOX460.254	254	198	220

