



STQ4002

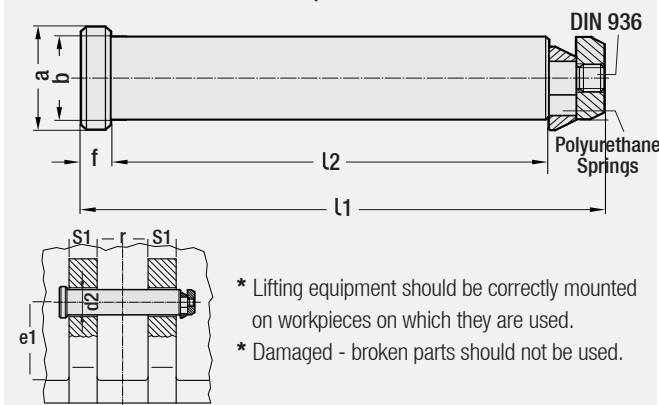
STQ4001



Die Lifting Pin - FCA

Code: G55

- 1- Reference: FCA Norm STQ4002 04 / 12 / 2014
- 2- Reference: FCA Norm STQ4001 04 / 12 / 2014



* Lifting equipment should be correctly mounted on workpieces on which they are used.
* Damaged - broken parts should not be used.

- 2- Reference: FCA Norm STQ4001 04 / 12 / 2014

a	b h11	d2	e1	f	l1	l2	R	S1	Max. Load Kg	Max. Capacity Kg
25	15.6	16	28	6	102.5	77	11	29.5	600	1200
30	20.6	21	29	6	113.5	86	13	33	1000	2000
35	25.6	26	40	6	128.5	100	20	35	2000	4000
43	33	34	55	6	166.5	135	55	35	4000	8000
53	43	44	60	8	210.5	175	60	50	7000	14000

- 1- Reference: FCA Norm STQ4002 04 / 12 / 2014

a	b h11	d2	e1	f	l1	l2	R	S1	Max. Load Kg	Max. Capacity Kg
38	29	30	60	6	178.5	150	60	40	2000	4000
43	33	35	65	6	200.5	170	60	50	3200	6400
53	43	45	85	8	233	195	80	50	5000	10000
65	53	55	105	10	282	235	100	60	8000	16000
65	53	55	75	10	227	180	65	50	8000	16000
78	63	65	130	12	352.5	295	120	80	12000	24000
78	63	65	100	12	272.5	215	80	60	13000	26000
95	78	81	150	14	421.5	355	140	100	30000	60000

Due to safety reasons, die weight should not exceed maximum load that 2 lifting pins can bear.

Order: **STQ1**
G55. a x L2

Order: **STQ2**
G55. a x L2

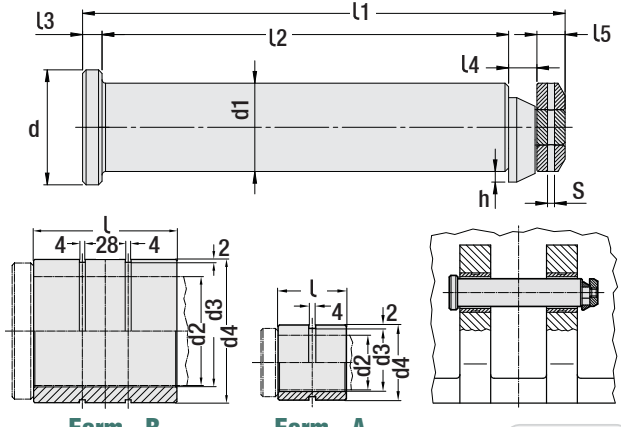
Bush for Lifting Pin Code: G52.1



Die Lifting Pin - VDI 3366

Code: G52

- Reference: VDI 3366 Standard 03 / 1997



Form - B

Form - A

Code: G52

d1 h11	d Ø	l1 +1	l2 +1	l3 mm	l4 mm	l5 mm	h +0.2	S Safety Pin
32	40	175	145	10	9	10	4	3x30
40	50	225	188	10	13	13	6	4x35
50	65	273	230	11	15	16	6	4x45
63	75	347	295	14	17	20	7.5	5x60
76	95	422	360	15	19	27	8	5x70

Code: G52.1

d1 h11	Max. Load Kg.	Max. Capacity Kg.	d2 +1	d3	d4	l	Form
32	3200	6400	32	34	44	40	Form A
40	5000	10000	40	42	52	50	
50	8000	16000	50	52	62	60	
63	12500	25000	63	65	75	80	
76	31500	63000	76	78	100	100	Form B
-	-	-	76	78	105	100	

Material: CK45

