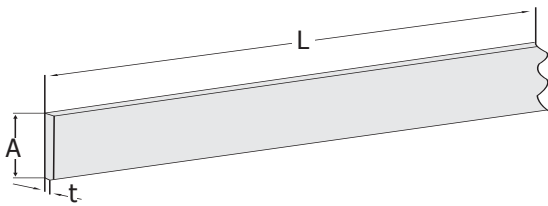


Precision Feeler Gauge Tape

Code: **HLB**



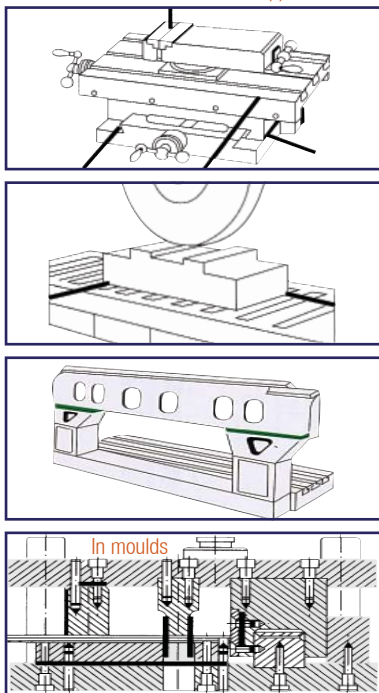
A: 13 mm x L: 5 mt.
Tolerance: T.3



Thickness t (mm)	Tolerance D ±
0.01	0.002
0.02	
0.03	0.003
0.04	
0.05	
0.06	
0.07	0.004
0.08	
0.09	
0.10	
0.12	
0.15	0.005
0.20	0.006
0.25	0.007
0.30	
0.35	0.008
0.40	0.009
0.45	
0.50	0.010
0.60	
0.70	0.012
0.80	0.013
0.90	
1.00	0.017

Cold - rolled, spring hardness and high plain precision shim steel strip. Gauge tapes with shiny surface resistant to rust or acid.
Usage: It is used for adjusting machine parts in fixture and set processes, straightening of workpieces as base foil, in all kinds of tolerance dimensions, in controlling of inserts and slides with tolerances, for adjusting of dyeing and stamping rolls and mould / die repairs etc.

Some Applied Pictures



Order: **HLB. t**

Package
Width: 13 mm Length: 5 mt.

Moulds



Code: **G125**



Red mould id card is for plastic injection moulds.

Dies



Code: **G125S**



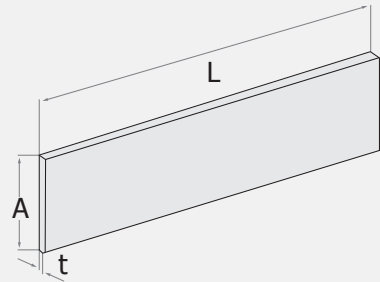
Black mould id card is for metal injection moulds.

ID Card Marking and Writing Pens

Code: **G126**



Red narrow id card is for general dies.



Simple Mounting - Economic Die / Mould Id Card:

Your id card will add style to your die / mould prepared as a result of long run labour. Also, id card will gain high value with your company information and will present a concession.

Your id card, will not be exposed to unwanted intervention among multi moulds (dirty painting / dirty text / scraping etc.) at production, mould monitoring facility always will be presented to the mould user with important technical messages specified on card, will be provided working of mould safely with monitoring, your problems such as repeatable possible / frequent mould repair will be decreased, the safety will be ensured with warnings, will be shown different at multi mould shelf system - it is a useful product to be appreciated at long term productions.

Order	A	L	t	Aluminium Sheet
G125	44	90	0,5	Mould id card
G126	22	mm	mm	Die id card

Custom-made Id Card: Please request unit price for id card with company logo as per request or data sheet involving different definition.

Other Special Id card: Please request unit price for your designs with different dimension and material.

Mounting Instruction: Id card is presented with mounting rivet in its packing. The slots are opened by retaining to suitable place from hole places on Id card (diameter 2,5 x 10 mm depth) with electrical drill. The rivets with its card is swelled with hammering in its slot, your simple easy mounting has finished, you can be proud of your work created with small detail.