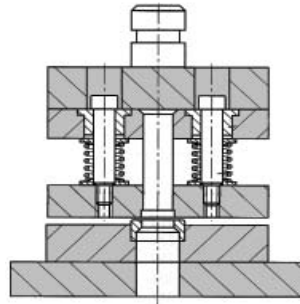
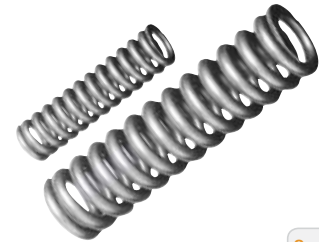


Code: **YYH**

Round Wire Compression Spring
Light Duty & High Stroke

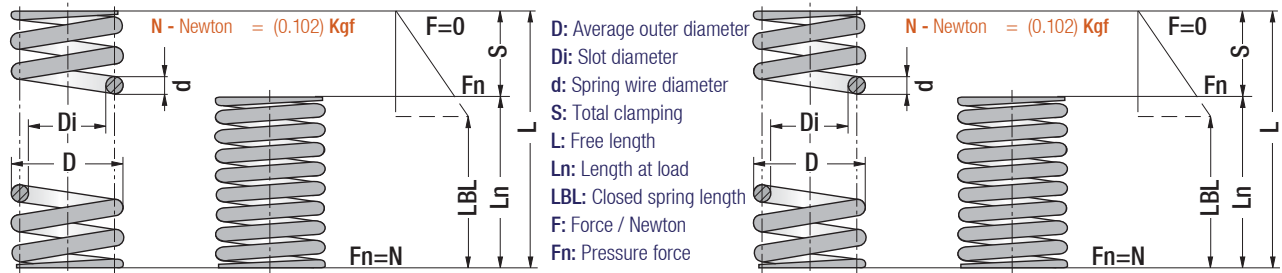


Pre-loading force and deviation should be determined by the designer. Initially, 5 mm pre-loading should be applied.



Code: **YYS**

Round Wire Compression Spring
Standard Performance



These springs from spring steel as winding / with high tension heat treated are used in table data standards **DIN 2095** or optionally both inactive and oscillatory loads. Optionally, they can be used in cases that are posed due to severe, hard impacts and vibrant load or when there are high expectations from spring life. Both types have flattened, forged coils and their surface are homogenized with shot blasting process. All springs are supplied as lubricated.

All these springs can be produced in the desired lengths and diameters. Maximum working temperature: 200°C.

Code: **YYH**

D	L	Di	d	S	Fn	Ln	LBL
10	40	7.00	1.50	18.9	148	21.1	18.0
12	55	9.00	1.50	30.0	103	25.0	22.0
14	40	10.0	2.00	19.1	243	20.9	18.0
14	50	10.0	2.00	24.0	228	26.0	23.0
15	40	11.0	2.00	19.5	221	20.5	16.0
15	100	11.0	2.00	58.5	245	41.5	39.0
17	85	12.5	2.25	41.0	265	44.0	32.0
17.5	45	11.5	3.00	13.0	422	32.0	30.0
17.5	50	11.5	3.00	15.0	434	35.0	33.0
18	83	10.0	4.00	18.0	1198	65.0	62.0
19	35	11.0	4.00	5.0	697	30.0	28.0
19	90	10.0	4.50	17.0	1669	73.0	70.0
19.5	35	14.5	2.50	14.0	186	21.0	19.0
19.5	40	13.5	3.00	14.0	398	36.0	24.0
20.5	95	15.5	2.50	54.0	262	41.0	39.0
21	40	13.0	4.00	11.0	1148	29.0	27.0
21.5	45	15.5	3.00	20.0	436	25.0	23.0
21.5	50	13.5	4.00	15.0	1099	35.0	32.0
22	45	16.0	3.00	21.7	387	23.3	19.5
22	70	16.0	3.00	29.4	387	40.6	28.5
22	100	16.0	3.00	38.7	387	61.3	40.5
23	130	16.0	3.50	43.4	579	86.6	59.5
23	160	16.0	3.50	54.6	579	105.4	73.3
23	190	16.0	3.50	64.8	579	125.2	86.0
24	220	16.0	4.00	62.4	765	157.6	112.0
24	250	16.0	4.00	71.6	765	178.4	128.0
25	24	17.0	4.00	7.00	790	17.0	16.0
27.8	70	13.8	7.00	8.00	3014	62.0	62.0
30	70	22.0	4.00	32.5	739	37.5	32.0
30	150	17.0	6.50	34.0	3142	116.0	107.0

Code: **YYS**

D	L	Di	d	S	Fn	Ln	LBL
13	55	10.0	1.50	25.2	112	25.3	12.0
15	50	11.0	2.00	21.2	250	25.0	9.50
16	40	12.0	2.00	17.0	220	20.0	7.00
18	85	13.4	2.30	37.4	260	41.0	14.0
19	50	13.0	3.00	13.6	480	34.0	8.50
20.5	90	11.5	4.50	15.0	1714	72.4	4.00
21	40	15.0	3.00	11.9	450	26.0	5.50
22	95	17.0	2.50	41.5	200	46.2	17.0
23	50	15.0	4.00	13.3	1160	34.4	6.50
26.5	24	18.5	4.00	6.10	960	16.8	2.00
30	70	16.0	7.00	9.30	3750	59.0	8.00
32	70	24.0	4.00	28.9	822	36.0	6.00
34	125	22.0	6.00	27.2	2150	93.0	11.5
44	130	28.0	8.00	30.6	3895	94.0	10.0
48	67	28.0	10.0	7.60	5760	58.0	3.50
49	50	32.0	8.50	9.30	3707	39.0	2.50
58	50	42.0	8.00	11.9	2117	36.0	2.50
63	180	41.0	11.0	36.6	5203	137	10.0

Order: **YYH**. D x L

Material: Spring Steel, Hardened.

Order: **YYS**. D x L