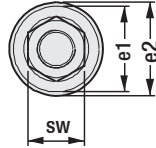


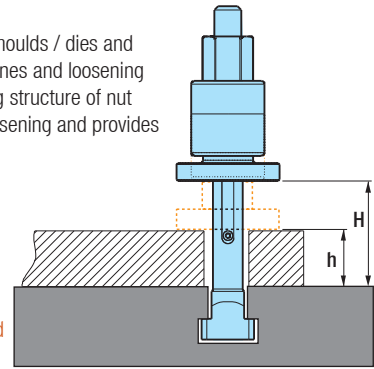
Combined Bolt for T-Slot Heavy Duty Type

It is used to clamp the heavy workpieces. By minimizing the vibration occurring at larger moulds / dies and workpieces on large presses or injection machines and loosening resulting from vibration due to contra tightening structure of nut system on the product, it prevents potential loosening and provides precision working.

Class: 12.9 / black coated



Environments on the 150° when clamping on the thread
Loctite 8150 is used.

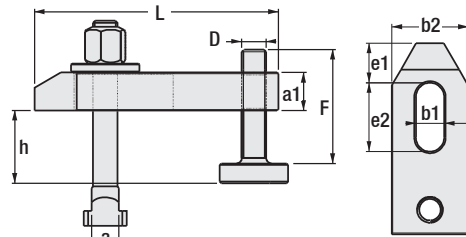


Code: 1630

Order Code	dx	a	xL	a mm	e mm	k mm	h - H mm	e1 mm	e2 mm	c mm	s mm	f mm	SW	Clamping Forces		Weight (g)
														Nm	kN	
1630-20.22.200	M20 x 22 x 200	21.7	35	14	25 - 75	49	69	92	12	30	30	679	215	1635		
1630-20.22.250	M20 x 22 x 250	21.7	35	14	70 - 120	49	69	92	12	30	30	679	215	1720		
1630-24.24.200	M24 x 24 x 200	23.7	40	16	25 - 75	53	74	92	12	30	36	1163	310	2075		
1630-24.24.250	M24 x 24 x 250	23.7	40	16	70 - 120	53	74	92	12	30	36	1163	310	2250		
1630-24.28.200	M24 x 28 x 200	27.7	44	18	25 - 75	53	74	92	12	30	36	1163	310	2180		
1630-24.28.250	M24 x 28 x 250	27.7	44	18	70 - 120	53	74	92	12	30	36	1163	310	2340		
1630-30.36.200	M30 x 36 x 200	35.6	54	22	25 - 75	68	88	94	14	30	46	2258	493	3660		
1630-30.36.250	M30 x 36 x 250	35.6	54	22	70 - 120	68	88	94	14	30	46	2258	493	3910		

Combined Clamp with Adjusting Support Screw

Code: 1170



*As per request, lifting washer is provided separately.

Heights can be adjusted with support screw. Product is suitable to DIN 650 T-Slot.



Order Code	a	L mm	Code: 1330		e1 mm	e2 mm	b1 mm	Code: 1610	h mm	Code: 1490	Weight (g)
			a1 mm	b2 mm							
1170-1010080	10	80	15	30	15	30	11	M10 x 10 x 80	10 - 35	M10 x 42	370
1170-1212100	12	100	20	40	21	40	14.5	M12 x 12 x 100	12 - 40	M12 x 50	740
1170-1212125	12	125	20	40	21	50	14.5	M12 x 12 x 125	12 - 85	M12 x 95	940
1170-1214100	14	100	20	40	21	40	14.5	M12 x 14 x 100	12 - 40	M12 x 50	705
1170-1214125	14	125	20	40	21	50	14.5	M12 x 14 x 125	12 - 85	M12 x 95	965
1170-1616125	16	125	25	50	26	45	18.5	M16 x 16 x 125	15 - 50	M16 x 62	1115
1170-1616160	16	160	25	50	26	65	18.5	M16 x 16 x 160	15 - 85	M16 x 97	1870
1170-1618125	18	125	25	50	26	45	18.5	M16 x 18 x 125	15 - 50	M16 x 62	1540
1170-1618160	18	160	25	50	26	65	18.5	M16 x 18 x 160	15 - 85	M16 x 97	1900
1170-2020160	20	160	30	60	30	60	22.5	M20 x 20 x 160	15 - 45	M20 x 62	1675
1170-2020200	20	200	30	60	30	80	22.5	M20 x 20 x 200	15 - 80	M20 x 97	3295
1170-2022160	22	160	30	60	30	60	22.5	M20 x 22 x 160	15 - 45	M20 x 62	2730
1170-2022200	22	200	30	60	30	80	22.5	M20 x 22 x 200	15 - 80	M20 x 97	3340
1170-2424160	24	160	30	70	35	60	26.5	M24 x 24 x 160	16 - 60	M24 x 81	3465
1170-2424200	24	200	30	70	35	80	26.5	M24 x 24 x 200	16 - 95	M24 x 116	4660
1170-2428160	28	160	30	70	35	60	26.5	M24 x 28 x 160	16 - 60	M24 x 81	5560
1170-2428200	28	200	30	70	35	80	26.5	M24 x 28 x 200	16 - 95	M24 x 116	4755