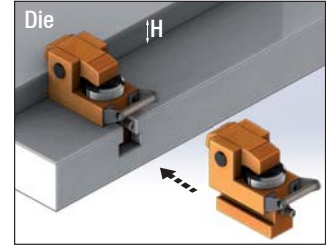
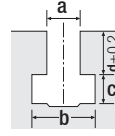
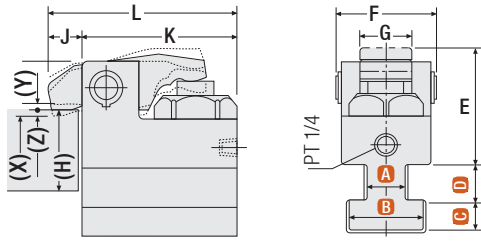


### Hydraulic Clamp "CB"

Code: 1015-CB



Hydraulic Pressure: 250 Kgf / cm<sup>2</sup>

Type	CB01	CB02	CB04	CB06	CB10	CB16	CB25
Capacity of Clamp	Ton 1	2	4	6	10	16	25
Total Stroke (X)	mm 6	8	8	8	8	8	8
Stroke of Clamp (Y)	mm 2.5	3	3	3	3	3	3
Preserved Stroke (Z)	mm 3.5	5	5	5	5	5	5
Total Volume of Cylinder	cc 3	7.5	13	21	38	55	98

\* Please indicate the dimensions of T-Slot (a-b-c-d) and the thickness of the base for the die (H) when ordering.

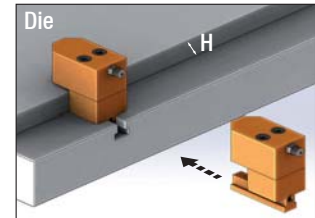
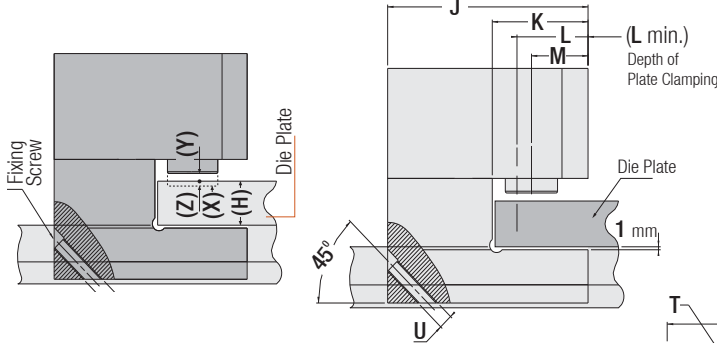
- The dimensions of clamps A, B, C and D are made based on the dimension of T-Slot.

Standard Temperature: 60°  
Optional Temperature: 160°

Order Code	L	K	J	H	H + d Min. Max.	E Min.	F	G	a Min.	c Min.	P
1015-CB01	74.5	60	14.5	25	100	42	44	20	10	6.5	PT 1/8
1015-CB02	110	90	20	25	100	73	68	32	14	10	PT 1/4
1015-CB04	134	110	24	25	130	77	79	40	18	12	PT 1/4
1015-CB06	159	130	29	30	150	92	96	46	22	14	PT 1/4
1015-CB10	189	159	30	40	140	114	117	54	24	16	PT 1/4
1015-CB16	230	200	30	40	130	126	129	58	28	20	PT 1/4
1015-CB25	265	235	30	45	120	148	156	70	36	23	PT 1/4

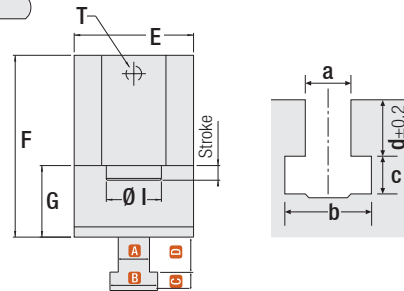
### Hydraulic Clamp "CC"

Code: 1015-CC



Hydraulic Pressure: 250 Kgf / cm<sup>2</sup>

Type	CC01	CC02	CC04	CC06	CC10
Capacity of Clamp	Ton 1	2	4	6	10
Total Stroke (X)	mm 9	9	9	12	12
Stroke of Clamp (Y)	mm 4	4	4	4	4
Preserved Stroke (Z)	mm 5	5	5	8	8
Total Volume of Cylinder	cc 3	7.5	13	21	38



Order Code	H Min. - Max.	A Min.	C Min.	E	F	G	I	J	K	L Min.	M	T	U (metric)
1015-CC01	20 - 35	10	6.5	43	G+43	H+9	16	75	33	27	21.5	1/8	M5
1015-CC02	25 - 40	14	10	50	G+50	H+9	18	91	43	30	25	1/8	M5
1015-CC04	25 - 40	18	12	65	G+60	H+9	30	115	55	40	32.5	1/8	M8
1015-CC06	35 - 55	22	14	80	G+65	H+12	37.5	130	65	48	40	1/4	M10
1015-CC10	40 - 60	24	16	100	G+82	H+12	50	160	85	60	49	1/4	M12

\* Please indicate the dimensions of T-Slot (a-b-c-d) and the thickness of the base for the die (H) when ordering.

- The dimensions of clamps A, B, C and D are made based on the dimension of T-Slot.

Standard Temperature: 60°  
Optional Temperature: 160°