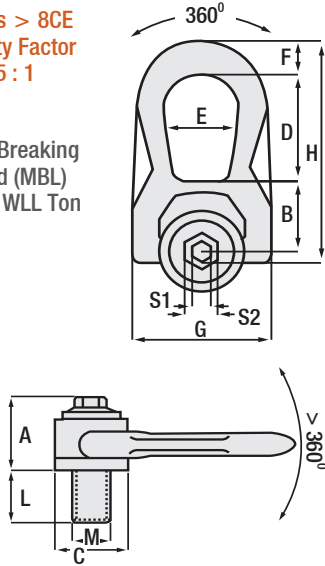


**Double Swivel Ring - Eyebolt**

Code: **AK400**

Class > 8CE  
Safety Factor  
5 : 1

Min. Breaking  
Load (MBL)  
= 5 x WLL Ton



Lifting equipment manufactured as forging in Turkey, has been registered that its production quality is in European standards with "Approval of Material Manufacturer" certificate given by Germanischer Lloyd.



Code: **AK400**

p : Load / Capacity    Eyebolt

M	L	S1	S2	A	B	C	D	E	F	G	H
M8	15	8	16	33	30	30	27	29	14	53	85
M10	20	8	16	33	30	30	27	29	14	53	85
M12	20	8	16	33	30	30	27	29	14	53	85
M14	35	8	20	45	42	45	36	38	17	76	120
M16	35	8	20	45	42	45	36	38	17	76	120
M18	35	8	20	45	42	45	36	38	17	76	120
M20	35	8	20	45	42	45	36	38	17	76	120
M24	40	14	24	62	55	60	55	60	25	117	165
M30	40	14	24	62	55	60	55	60	25	117	165

Maximum Lifting Load (Safety Factor ≥ 5:1)

P=Ton

M							
M8	0.3	0.6	0.3	0.6	0.4	0.3	0.6
M10	0.6	1.2	0.6	1.2	0.8	0.6	1.3
M12	1.0	2.0	1.0	2.0	1.4	1.0	2.1
M14	1.3	2.6	1.3	2.6	1.8	1.3	2.7
M16	1.6	3.2	1.6	3.2	2.2	1.6	3.4
M18	2.0	4.0	2.0	4.0	2.8	2.0	4.2
M20	2.5	5.0	2.5	5.0	3.5	2.5	5.3
M24	4.0	8.0	4.0	8.0	5.6	4.0	8.4
M30	6.3	12.6	6.3	12.6	8.8	6.3	13.2



Order:  
**AK400. M**

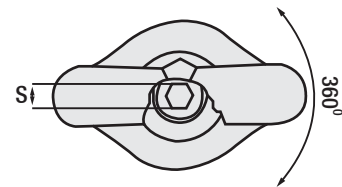
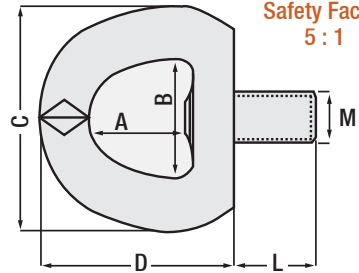
Material: Class > 8CE  
Safety Certificated



**Heavy Tonnage Swivel Ring Eyebolt**

Code: **AK450**

Class > 8CE  
Safety Factor  
5 : 1



Code: **AK450**

M	L	S	A	B	C	D
M8	12	6	38	45	90	78
M10	15	6	38	45	90	78
M12	18	8	38	45	90	78
M16	27	8	38	45	90	78
M20	30	8	38	45	90	78
M24	36	14	58	70	134	115
M30	45	14	58	70	134	115
M36	54	14	88	94	190	166
M42	63	14	88	94	190	166
M48	68	19	88	94	190	166

Maximum Lifting Load (Safety Factor ≥ 5:1)

P=Ton

M							
M8	0.3	0.6	0.3	0.6	0.4	0.3	0.6
M10	0.6	1.2	0.6	1.2	0.8	0.6	1.3
M12	1.0	2.0	1.0	2.0	1.4	1.0	2.1
M16	1.6	3.2	1.6	3.2	2.2	1.6	3.4
M20	2.5	5.0	2.5	5.0	3.5	2.5	5.3
M24	4.0	8.0	4.0	8.0	5.6	4.0	8.4
M30	6.3	12.6	6.3	12.6	8.8	6.3	13.2
M36	10.0	20.0	10.0	20.0	14.0	10.0	21.0
M42	12.5	25.0	12.5	25.0	17.5	12.5	26.3
M48	15.0	30.0	15.0	30.0	21.0	15.0	31.5



Order:  
**AK450. M**

Material: Class > 8CE  
Safety Certificated