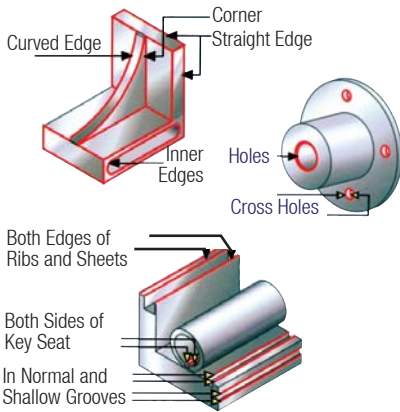


Deburring Tools Usage **NOGA**



Burrs: They are unwanted metal particles remained at the edge of workpiece after machining process. For safety and quality production, these particles should be cleaned. Deburring process on machine bench is both long term and hard to make balanced process. Hence, it will take more time, also surface roughness is important. All of this may not be economical.

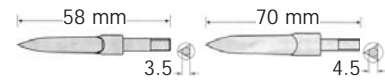
Noga Deburring Sets: With two component, plastic handle and cutting blades (telescopic) and have withdrawal spring for opening and closing handle locks. 3 pieces spare cutting blades are stored in rear covered chamber.



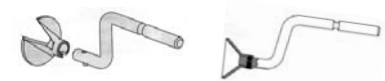
NogaGrip Handle (3 different models)

- **NG-1** Ø 3.2 mm / for all "S" blades
- **NG-2** Ø 2.6 mm / for all "N" blades
- **NG-3** Ø 7.0 mm / for all "T" blades

Handles: It is adapted to part contour automatically. With options for the processing of very different materials, it is used for deburring of contours rationally. With the ergonomic difference from other holders, it is suitable for your hand. For maximum comfort of your hand, hard and soft - light robust structure. Rapid replacement blades and handles. Spare cutting blades are in rear cover assembly.



This HSS blades are used with NG-3 handle.



External Cranked Blade: External cranked countersink. Length: 150mm
Internal Blade: For internal thread operations. Length: 150mm

Deburring Tool Kits



Promo Set Deburrs: Steel, Aluminum and Plastic

S Promo Set - NG8150
 Contains: 1 pcs = NG-1 Handle
 10 pcs = S10 Blades.

Order: NG8150

N Promo Set - NG8000
 Contains: 1 pcs = NG-2 Handle
 10 pcs = N1 Blades.

Order: NG 8000



Tele Set Deburrs: Steel, Aluminum, Plastic, Brass and Cast Iron.

S Tele Set - NG8350
 Contains: 1 pcs = NG-3 Handle
 1 pcs = S Holder
 5 pcs = S10 Blades
 5 pcs = S20 Blades.

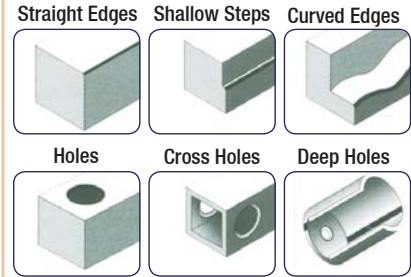
Order: NG8350

N Tele Set - NG8300
 Contains: 1 pcs = NG-3 Handle
 1 pcs = N Holder
 5 pcs = N1 Blades
 5 pcs = N2 Blades.

Order: NG8300



Deburring Tools



Deburring Tools: The tools have replaceable ends at rotary position and are adapted to workpiece contour with handy, cutting edge automatically and they are excellent / quality brand hand tools in deburring different types of materials rationally.

Multipurpose Deburring Tools

Order: **LB1000**
Liza Burr



Double end blade holder to utilize both N and S blades. Telescopes from 20-110 mm with N Blades. Telescopes from 20-94 mm with S Blades. Contains: Uni-handle, SN-holder, N1 & N2 blades.

Order: **SG1000**
Soft Grip



Two holes accepts both heavy and light duty S & N Blades. Contains: SG Handle, S100 and N10 Cobalt Blades. Ergonomically held handle.

Order: **TB1000**
Teddy Burr



Designed for hard to reach locations. 8 mm painted hexagonal aluminum handle and N1 blade. Blade is replaceable. Holder: 2.6 mm blades.

Light Duty Deburring Blades

Order	Blade	Work best on
BN1010 (40°)	N1	steel, aluminium and plastic
BN2010 (80°)	N2 L/R	brass and cast iron
BN2012 (80°)	N2 TiN L/R	stainless steel
BN1310 (45°)	N10 Cobalt	plastic and hard materials
BN3010 (50°)	N3	both int. and ext. burrs
BN6001 (40°)	N6	cross holes in difficult to reach places