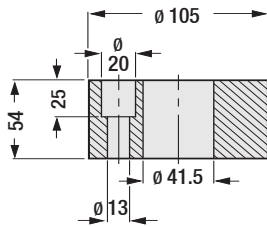
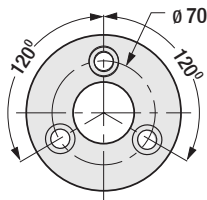




Code: **G99**

Cylinder Locating Block

(FCA Code: CNT_ST_01)



Order: **G99.105**

Material: 1.7131 (16MnCr5)
Hardness: 60 - 64 HRC

Guide

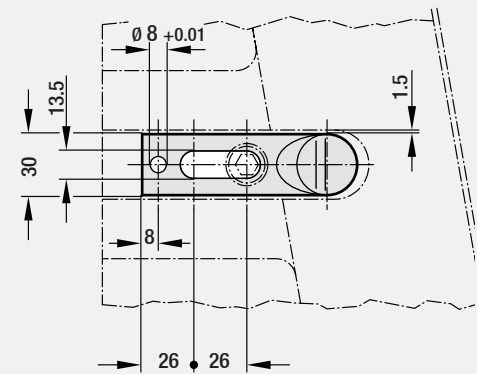
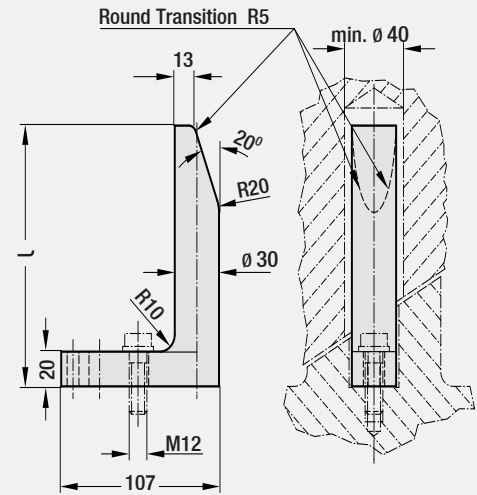
Code: **G67 - G67S**



Code: G67
Material: CK45 Forged

Code: G67S
Material: CK45 Forged Hardened 50 - 55 HRC

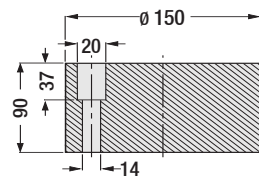
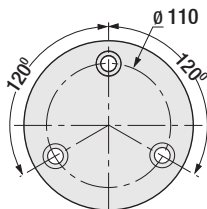
Order Code		l
G67.065	G67S.065	65 mm
G67.090	G67S.090	90 mm
G67.120	G67S.120	120 mm
G67.150	G67S.150	150 mm
G67.180	G67S.180	180 mm
G67.250	G67S.250	250 mm
G67.300	G67S.300	300 mm
G67.350	G67S.350	350 mm



Code: **G99B**

Cylinder Locating Block

Reference: PSA

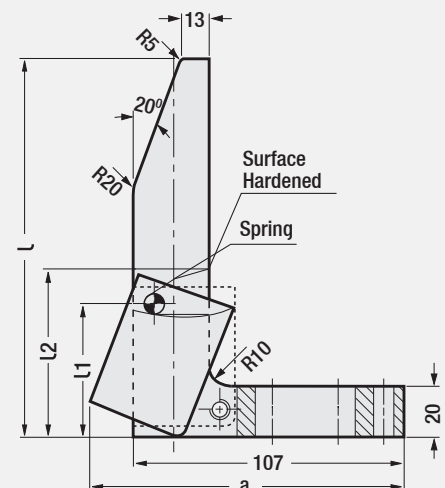
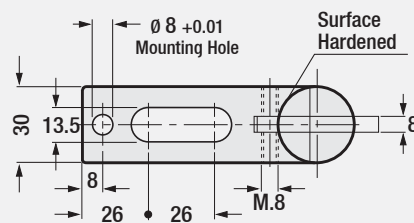


Order: **G99B.150**

Material: 1.7131 (16MnCr5)
Hardness: 60 - 64 HRC

Guide with Part Position Control

Code: **G68**



Order Code	l	l1	l2	a
G68.120	120	55	70	120
G68.150	150	55	70	120
G68.180	180	105	120	124
G68.250	250	105	120	124

Material: CK45 Forged Hardened 50 - 55 HRC