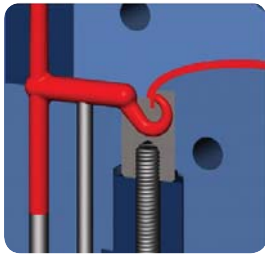
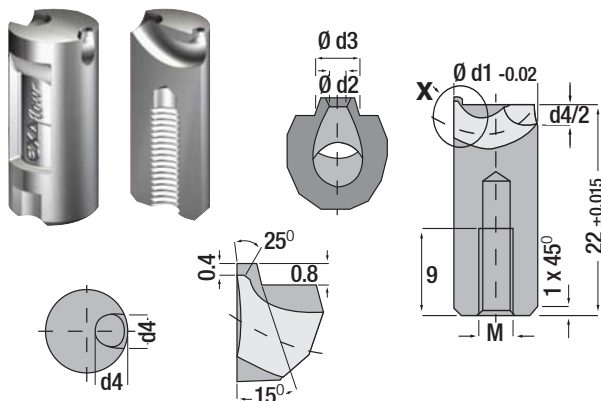


Tunnel Gate Inserts



Benefits of Exaflow Tunnel Gate Inserts:

- Perfect surface quality and concealed gate marks through tunnel gating, even on rear moulding wall thanks to innovative Ringelflow technology.
- Variable gate diameters from 0,5 to 3,5 mm.
- Clearly defined separating edge for precise degating.
- Save time and cost through fast & easy interchangeability.
- High wear resistance.
- Compact dimensions due to single-part design.
- Enhances moulding process reliability.
- Unsurpassed balance in multiple gating applications.



Standardflow - Gate Insert

Code: **GTR**

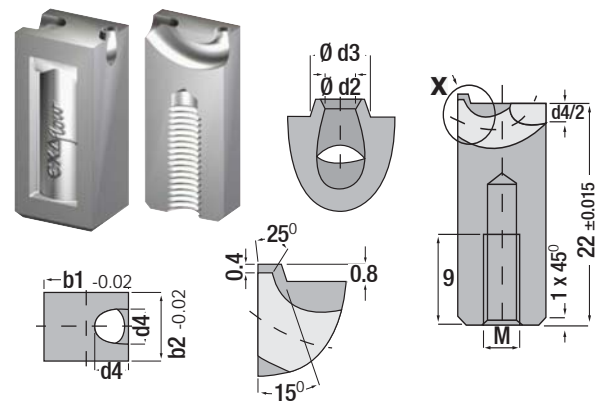
For tunnel gating of small to medium-sized mouldings along a flat separating plane. The projecting calotte ensures concealed degating.

- Available gate diameters from 0,8 to 2,4 mm.
- Usable for all thermoplastics including fillers up to 50 % glass fibre.

Order Code	d1	d2	d3	d4	M	Viscosity - Grams		
						High	Regular	Low
GTR10-08	10	0.8	2.1	4	4	8	7	5
GTR10-10		1.0	2.3			14	12	9
GTR10-12		1.2	2.5			20	16	10
GTR10-14		1.4	2.7			30	23	15
GTR10-16		1.6	2.9			40	30	20

Order Code	d1	d2	d3	d4	M	Viscosity - Grams		
						High	Regular	Low
GTR12-08	12	0.8	2.1	5	5	8	7	5
GTR12-10		1.0	2.3			14	12	9
GTR12-12		1.2	2.5			20	16	10
GTR12-14		1.4	2.7			30	23	15
GTR12-16		1.6	2.9			40	30	20
GTR12-18		1.8	3.1			54	40	27
GTR12-20	2.0	3.3	68	52	34			

Order Code	d1	d2	d3	d4	M	Viscosity - Grams		
						High	Regular	Low
GTR14-12	14	1.2	2.5	6	6	20	16	10
GTR14-14		1.4	2.7			30	23	15
GTR14-16		1.6	2.9			40	30	20
GTR14-18		1.8	3.1			54	40	27
GTR14-20		2.0	3.3			68	52	34
GTR14-22		2.2	3.5			85	65	43
GTR14-24	2.4	3.7	100	80	50			



Standardflow - Gate Insert

Code: **GTE**

For tunnel gating of small to medium-sized mouldings along a flat separating plane. The projecting calotte ensures concealed degating.

- Available gate diameters from 0,8 to 2,4 mm.
- Usable for all thermoplastics including fillers up to 50 % glass fibre.

Order Code	b1	b2	d2	d3	d4	M	Viscosity - Grams		
							High	Regular	Low
GTE10-08	10	8	0.8	2.1	4	4	8	7	5
GTE10-10			1.0	2.3			14	12	9
GTE10-12			1.2	2.5			20	16	10
GTE10-14			1.4	2.7			30	23	15
GTE10-16			1.6	2.9			40	30	20

Order Code	b1	b2	d2	d3	d4	M	Viscosity - Grams		
							High	Regular	Low
GTE12-08	12	10	0.8	2.1	5	5	8	7	5
GTE12-10			1.0	2.3			14	12	9
GTE12-12			1.2	2.5			20	16	10
GTE12-14			1.4	2.7			30	23	15
GTE12-16			1.6	2.9			40	30	20
GTE12-18			1.8	3.1			54	40	27
GTE12-20	2.0	3.3	68	52	34				

Order Code	b1	b2	d2	d3	d4	M	Viscosity - Grams		
							High	Regular	Low
GTE14-12	14	12	1.2	2.5	6	6	20	16	10
GTE14-14			1.4	2.7			30	23	15
GTE14-16			1.6	2.9			40	30	20
GTE14-18			1.8	3.1			54	40	27
GTE14-20			2.0	3.3			68	52	34
GTE14-22			2.2	3.5			85	65	43
GTE14-24	2.4	3.7	100	80	50				

Installation Dimensions

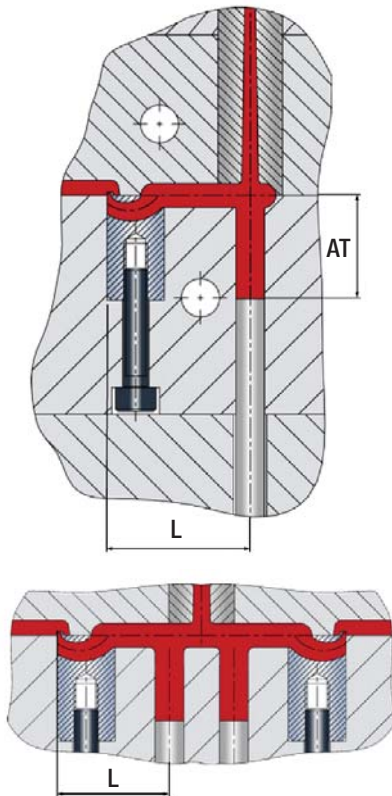
GTM - GTR / GTE - GTK

Plastic Group	GTM	GTR/GTE	GTK
HD-PE, LD-PE PET, PP, PA PC, PVC. (L)	>15	>20	>25
Runner design	round	round	round
Ejector depth (AT)	>11	>16	>20

ABS, M ABS, ASA PS, PC-ABS POM, PBT. (L)	>20	>25	>30
Runner design	round	round	round
Ejector depth (AT)	>14	>20	>24

Elastomere TPE TPU, TPP, TPA. (L)	>15	>15	>20
Runner design	arbitrary	arbitrary	arbitrary
Ejector depth (AT)	>11	>11	>16

Brittle Plastics	>25	>30	>40
Runner design	half-round	half-round	half-round
Ejector depth (AT)	>18	>24	>32



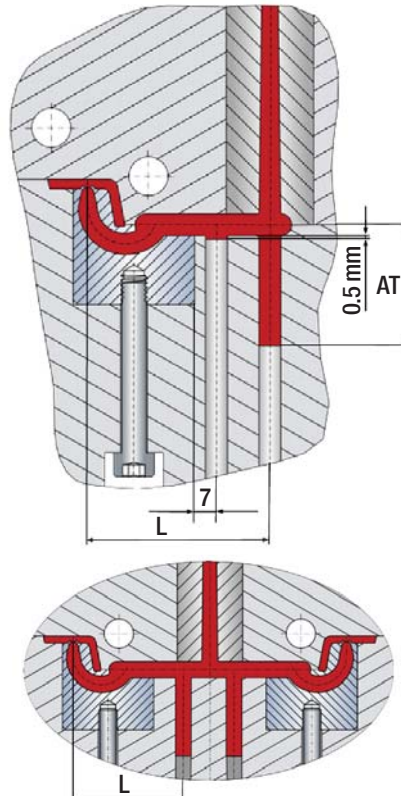
GXK - GMK

Plastic Group	GXK	GMK
HD-PE, LD-PE PET, PP, PA PC, PVC. (L)	>35	>30
Runner design	round	round
Ejector depth (AT)	>35	>30

ABS, M ABS, ASA PS, PC-ABS POM, PBT. (L)	>40	>35
Runner design	round	round
Ejector depth (AT)	>40	>35

Elastomere TPE TPU, TPP, TPA. (L)	>30	>25
Runner design	arbitrary	arbitrary
Ejector depth (AT)	>30	>16

Brittle Plastics	on request	on request
Runner design	half-round	half-round
Ejector depth (AT)	on request	on request



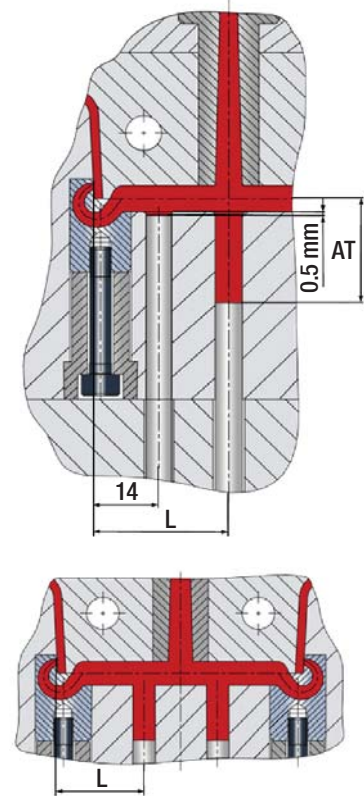
GRF-1

Plastic Group	GRF-1
HD-PE, LD-PE PET, PP, PA PC, PVC. (L)	>30
Runner design	round
Ejector depth (AT)	>30

ABS, M ABS, ASA PS, PC-ABS POM, PBT. (L)	>30
Runner design	round
Ejector depth (AT)	>30

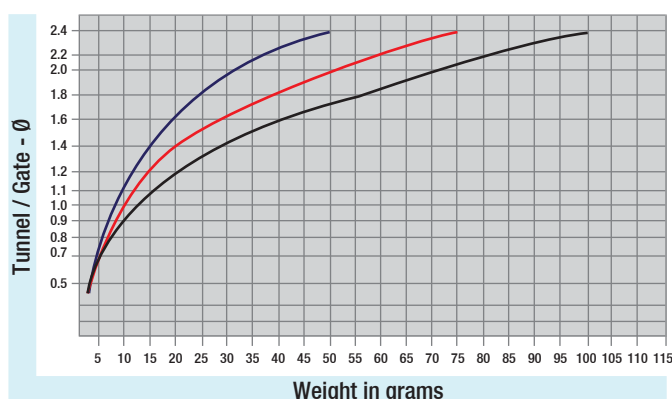
Elastomere TPE TPU, TPP, TPA. (L)	>20
Runner design	arbitrary
Ejector depth (AT)	>20

Brittle Plastics	on request
Runner design	half-round
Ejector depth (AT)	on request



Recommended distances "L" from the injection point to the sprue ejector are given above for the various material groups. The distance "AT" describes the correlated ejector depth.

Table of Viscosity "GTR - GTE - GTM"

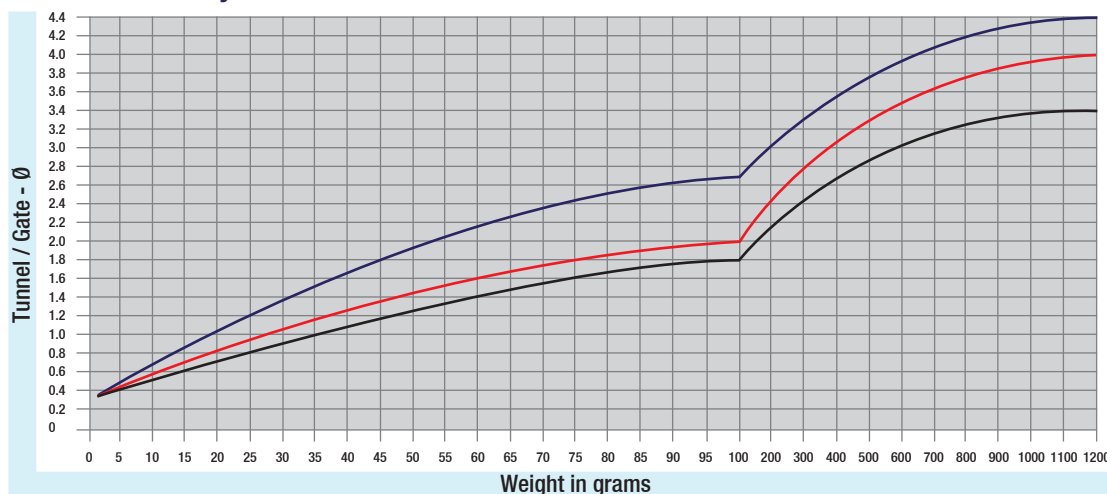


Low Viscosity: PA, PE, PC, PP, PET, PVC, PS, SB, TPA, TPE, TPU

Medium Viscosity: ABS, ASA, PS, PC-ABS, PBT, SAN

High Viscosity: PC, PPS, PSU, POM-H, PES, PPO, PEI, PC-ABS, PC-PBT, PMMA, PVC

Table of Viscosity "GTK - GMK - GXK - GRF"



Frequently asked questions and answers about Tunnel Gate Inserts

- + **What's the ideal distance between injection point and ejector ?** - For the choice of the distance (L) we provide you with a spreadsheet in the support section. You can read about the distances depending on the type of Exaflow gate inserts and materials there. In special cases please get in touch with our application engineers.
- + **How can you prevent open jet formations ?** - An open jet formation can be prevented by following parameters: * Use of a higher gate insert diameter * Install dead-end recess * Graduated injection profile (reduce injection speed) * Increase mass temperature * Increase screw back pressure * Increase tool temperature around the area of the injection point.
- + **Can Exaflow gate inserts be used for mouldings with a wall thickness below 1,2mm ?** - For the production of mouldings with a thin wall thickness we recommend our Miniflow (without head). If a 100 % sunk gate must be warranted it's possible to grind down the head of our standard Exaflow up to 0.4 mm (please attend our application examples).
- + **Can terpolymeres be processed (PEI) ?** - Terpolymeres can be processed without any problems, however the gate diameter and the distance between gate and ejector should be designed as big as possible.
- + **Can Liquid crystal polymers be processed (LCP) ?** - LCP's can be processed without any problems, however the cold runner cross section and the gate cross section should be as small as possible since the material "lives by the shearing".
- + **How are the gating properties for polyolefins (PE,PP) ?** - Polyolefins tend to thread forming (during the demoulding process), thus during the injection moulding of flat components an impact wall around the area of the head should be installed (please attend our application examples).
- + **What does the dead-end recess do ?** - The dead-end recess has several influences on the injection process: * Decrease of shearing * Reduction of pressure loss (up to 33 % in the injection region) * Improves the laminar flow * Prevents open jet formations due to improved laminar flow and the flow front gets an unsymmetrical velocity profile which results in a spin that makes the flow front attach to the interior wall of the moulding during the ejection process and brakes the following molten mass.
- + **What is the right cross-section of the gate ?** - The cross-section of the gate depends on the processed materials, shot weight and the proportion of flow path and wall thickness. (please look at the spreadsheet in our support section). The recommended distance between gate and ejection can't be adhered. In general, Exaflow recommends a full-round cold runner cross-section. If the recommended distance can't be adhered we recommend a half-round cold runner cross-section to ensure the necessary deflection.
- + **Is a trapezoidal shaped cold runner distributor possible ?** - A trapezoidal shaped cold runner distributor is possible in general, but due to the result of its geometry it's the most constrained variant of a cold runner. For an unproblematic demoulding process a long distance between gate and ejector should be picked.
- + **How can you prevent the rough spot around the gate area ?** - Problems usually occur with high-viscosity materials (PC, PMMA, ABS). Solution: * Graduated injection profile (fills the gate region slowly) * Increase cylinder temperature, increase back pressure * Increase tool temperature * Increase gate diameter * Inject the moulded part at a different spot.
- + **Is it possible to process thermoplastic elastomers? (TPU,TPE,TPA...)** - Processing thermoplastic elastomers is possible without any problems. However you should focus, in coherence with the shore hardness, the design of the cold runner connection. You can find assistance for this in the support section.