

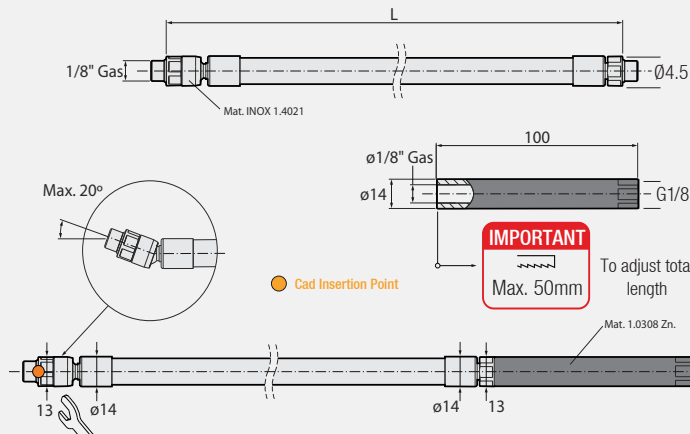


### "DR" Cooling Hose

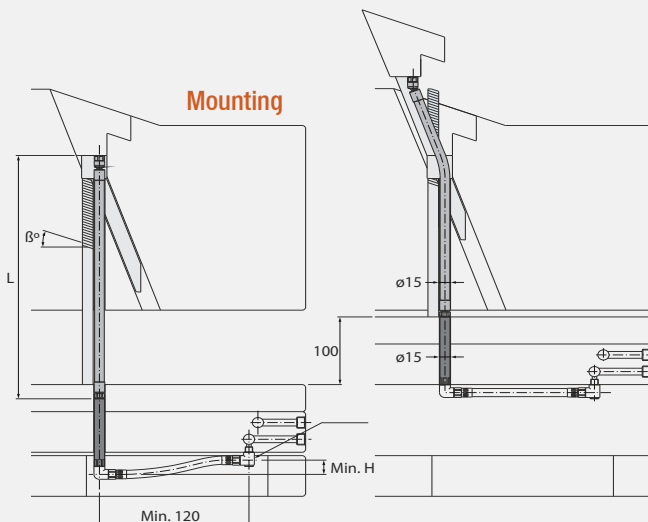
Code: **DK**

Cooling Hose for 90° "DR" Lifters.  
The swivel coupling prevents the hose from bending excessively when demolding the undercut.

Maximum cooling fluid temperature 50°C.



Order	$\beta^0$	H			
		DR.xx-8	DR.xx12	DR.xx16	DR1.xx20
DK.141818	0°	10	10	10	10
	+1° ~ +9°	10	10	10	15
	+10° ~ +20°	10	15	20	25
	>+20°	15	20	25	30



**Important**

Please indicate the required L dimension when ordering; the length will be rounded up to the next multiple of 25mm.

### Double Rack Lifter (DR) Selection Table

**Neutral Angle ( $\beta = 0^\circ$ )**

DR.xx100L-16  
DR.xx125L-12

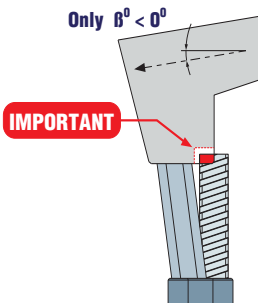
**Negative Angle ( $\beta < 0^\circ$ )**

DR.xx100L-12  
DR.xx125L-8

Designed according to the colour system in the table!

**Positive Angle ( $\beta > 0^\circ$ )**

DR.xx100L-20  
DR.xx125L-16



$\beta^0$	DR.xx-100L - 8		DR.xx-100L-12		DR.xx-100L-16		DR.xx-100L-20	
	S (- $\beta^0$ )	S (+ $\beta^0$ )	S (- $\beta^0$ )	S (+ $\beta^0$ )	S (- $\beta^0$ )	S (+ $\beta^0$ )	S (- $\beta^0$ )	S (+ $\beta^0$ )
0	14.0		21.2		28.6		36.4	
1	14	14	21.1	21.3	28.5	28.8	36.1	36.6
2	13.9	14.1	21.1	21.4	28.3	28.9	25.9	36.8
3	13.9	14.1	21	21.5	28.2	29.1	35.7	37.1
4	13.9	14.1	20.9	21.5	28.1	29.2	35.4	37.3
5	13.8	14.2	20.8	21.6	27.9	29.4	35.2	37.5
6	13.8	14.2	20.7	21.7	27.8	29.5	35	37.8
7	13.8	14.3	20.7	21.8	27.7	29.7	34.8	38.1
8	13.7	14.3	20.6	21.9	27.5	29.8	34.6	38.3
9	13.7	14.3	20.5	22	27.4	30	34.4	38.6
10	13.7	14.4	20.4	22	27.2	30.2	34.2	38.8
11	13.6	14.4	20.4	22.1	27.1	30.3	33.9	39.1
12	13.6	14.4	20.3	22.2	27	30.5	33.7	39.4
13	13.6	14.5	20.2	22.3	26.8	30.7	33.5	39.7
14	13.5	14.5	20.1	22.4	26.7	30.8	33.3	40
15	13.5	14.6	20.1	22.5	26.6	31	33.1	40.3
16	13.5	14.6	20	22.6	26.5	31.2	32.9	40.6
17	13.4	14.6	19.9	22.7	26.3	31.4	32.7	40.9
18	13.4	14.7	19.8	22.8	26.2	31.6	32.5	41.2
19	13.4	14.7	19.8	22.9	26.1	31.8	32.3	41.6
20	13.3	14.8	19.7	23	25.9	32	32.1	41.9

### Object Position / Mounting & Demounting Measurement Table:

Stroke	F	G	H	J	K	M	N	S	T	W	Y	Z
DR16	10	4.6	4.5	3	2.35	3	2.8	2.5	M5	6	9	M4
DR22	13	5.6	5.6	4.2	3.7	4.2	3.5	2.5	M6	8	12	M4
DR28	16	7.5	7.5	5	5.4	4.8	4.8	2.5	M8	8	13.5	M4
DR34	16	10.5	8	7	7	5	6	4	M8	8	16	M4
DR40	20	11	11	7	8	7	7	4	M10	10	20	M6
DR46	25	13	13	8	8	9	9	5	M12	10	24	M6