

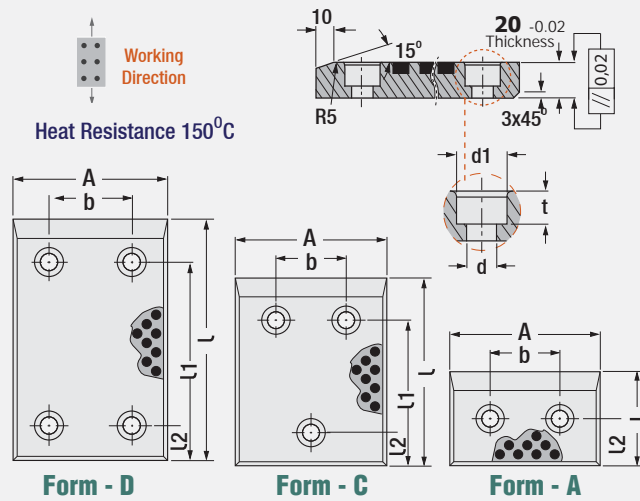
Code: G91C (steel type)



### Wear Plate, VDI 3357

Code: G91

Self-Lubricating, Thickness: 20 mm / Form: A - C - D



\* Please specify Form A - C - D when placing order.

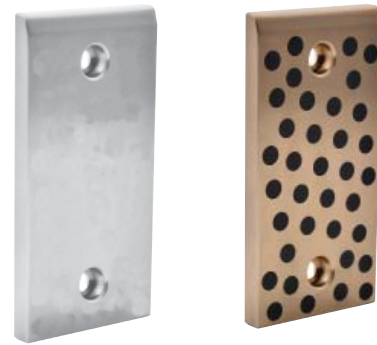
Code: G91

A	l ±0.2	l1	l2 ±0.2	b ±0.2	d H13	d1 H13	t	Form	Screw	
80	50	-	25	30	9	15	9	A	M8x25	
	100	50	-	25	50	13.5	20	13	A	2 pcs. M12x25
		80	-	40						
	125	50	-	25	75	13.5	20	13	A	2 pcs. M12x25
80		-	40							
100		75	25	75						
125		100								
160		135								
200		175								
250		210	40	110	13.5	20	13	D	4 pcs. M12x25	
315	275									
160	50	-	25	110	13.5	20	13	A	2 pcs. M12x25	
	80	-	40							
	100	75	25	110	13.5	20	13	C	3 pcs. M12 x 25	
	125	100								
	160	135								
	200	175								
	250	210								
315	275	40	110	13.5	20	13	D	4 pcs. M12x25		
250	210									
315	275									

Order: G91 or G91C. A x l x Form

\* G91: Bronze + self-lubricating type.  
\* G91C: Steel type.  
\* The dimensions of G91 & G91C are same.

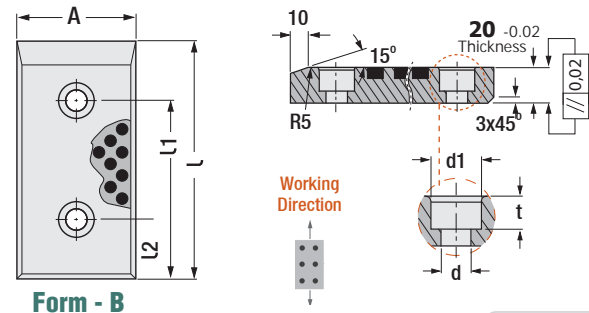
Code: G90C (steel type)



### Wear Plate, VDI 3357

Code: G90

Self-Lubricating, Thickness: 20 mm



Code: G90

A	l ±0.2	l2 ±0.2	l1	d H13	d1 H13	t	Form	Screw		
50	80	25	55	13.5	20	13	B	2 pcs. M12 x 25		
	100		75							
	125		100							
	160		135							
80	80	25	55	13.5	20	13	B	2 pcs. M12 x 25		
	100		75							
	125		100							
	160	135	40						210	275
	200	175								
	250	210								
	315	275								
100	100	25	75	13.5	20	13	B	2 pcs. M12 x 25		
	125		100							
	160		135							
	200		175							
	250		210						40	210
	315	275								



Order: G90 or G90C. A x l

\* G90: Bronze + self-lubricating type.  
\* G90C: Steel type.  
\* The dimensions of G90 & G90C are same.