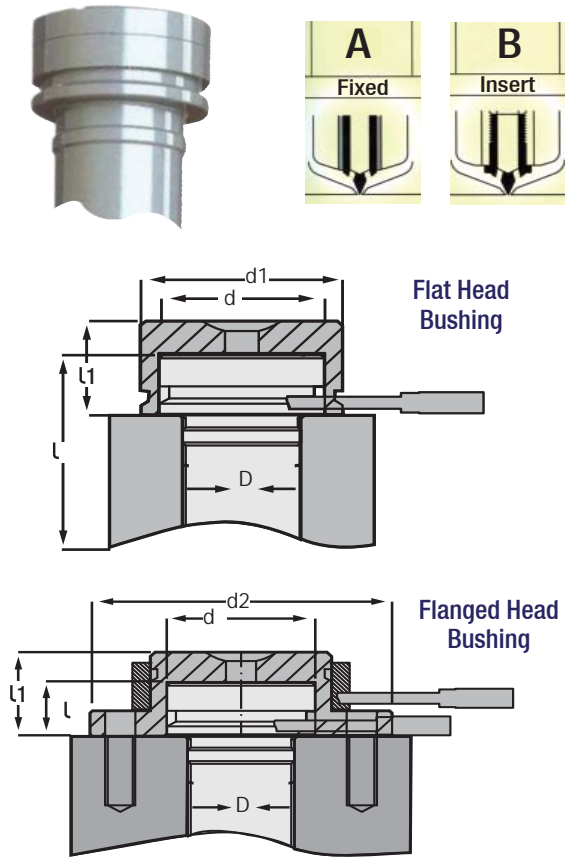


Flanged & Flat Head Bushings for Hot Runner Nozzles



Standard Hot Runner Nozzles with Head Bushings are produced / designed for using the Nozzles as Main / Single Nozzles in the operation of molding raw plastic materials with high melting temperature to protect it against cooling. Head Bushings are produced for the SMA & SMB Series Nozzles.

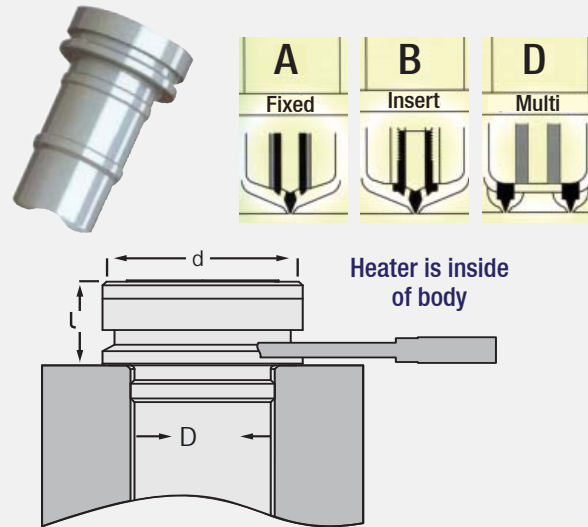
Order Code	Type	D	l	d
SS22Z00	Flat	Ø 22	13mm	Ø 29
SS22Z01	Flanged			
SS25Z00	Flat	Ø 25	13mm	Ø 32
SS25Z01	Flanged			
SS32Z00	Flat	Ø 32	13mm	Ø 39
SS32Z01	Flanged			
SS40Z00	Flat	Ø 40	20mm	Ø 49
SS40Z01	Flanged			

Order Code	d1	d2	l1	Wattage
SS22Z00	Ø 39	Ø 65	19.8	-
SS22Z01				150 Watt
SS25Z00	Ø 39	Ø 65	19.8	-
SS25Z01				175 Watt
SS32Z00	Ø 46	Ø 72	19.8	-
SS32Z01				225 Watt
SS40Z00	Ø 56	Ø 72	26.8	-
SS40Z01				290 Watt



Custom-made orders as per request.

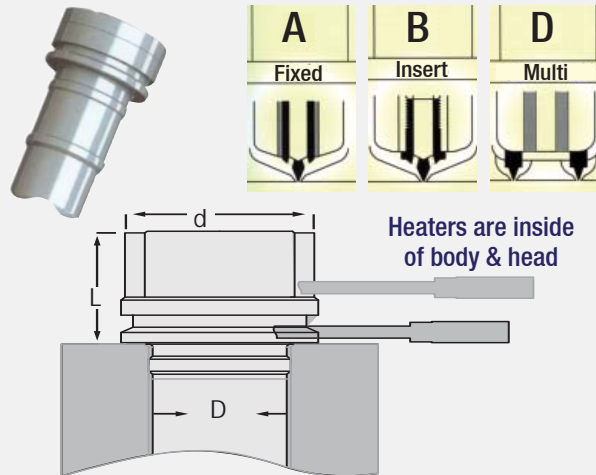
Hot Runner Main / Single Nozzle



The Sealing Plug of the Hot Runner Nozzles are cancelled and the thickness of the Nozzle Head are decreased in the operations of general plastic injection (PP, POM, ABS, PE, HDPE, PS etc.). The "ASM" type Main / Single Nozzles are produced for the SMA, SMB & SMM Series Nozzles.

Order Code	D	l	d
ASM18	Ø 18	15 mm	Ø 25
ASM22	Ø 22		Ø 29
ASM25	Ø 25		Ø 32
ASM32	Ø 32		Ø 39
ASSM22	Ø 22		Ø 27
ASSM25	Ø 25		Ø 30
ASSM32	Ø 32	Ø 27	

Hot Runner Main / Single Nozzle with Head Heater



The heat controller of the Hot Runner Nozzle is supplied with 2 pieces of Thermocouples. Hot Runner Nozzles with Head Heater are produced for the SMA, SMB & SMM Series Nozzles. This type should be use with following plastic raw materials; PC, PA, PBT, PET, PVC and PBBT.

Order Code	D	l	d	Wattage
ASMR25	25	25	31	150
ASMR32	32	25	38	175
ASMR40	40	30	48	200
ASMMR16	28	30	39	175
ASMMR22	35	30	46	200
ASMMR28	41	30	52	225
ASMMR34	47	30	58	225