

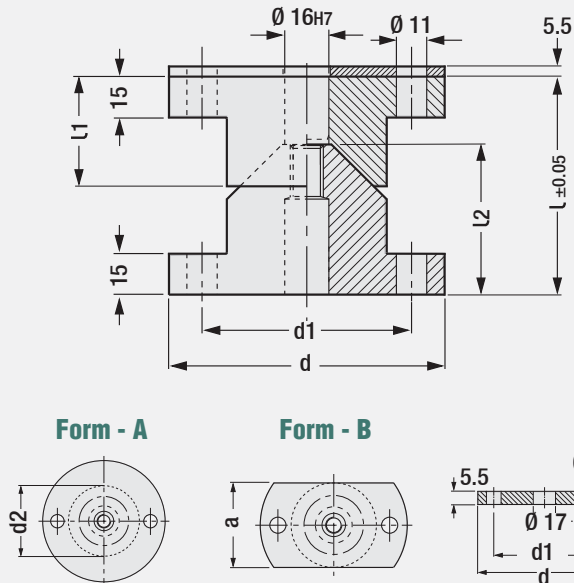


Locating Cone - NAAMS

Code: **G63**

Shim Plate (as per request, Form A - B)

Reference: NAAMS G91



Code: **G63**

d	l	d1	d2	l1	l2	Form
100	80	76	58	40	55	A
120	90	96	78	50	65	
100	80	76	58	40	55	B
120	90	96	78	50	65	

Shim plates are with locating cones in (5.5 mm) dimension as a standard. For your custom-made shim plate orders, you can make selections from the following table.

	Order: G63. d x Form	Material: 1.7131 (16MnCr5) Hardness: 60 - 64 HRC
--	--------------------------------	---



Shim Plate

Code: **G63A**

d	d1	a	Form
100	76	-	A
120	96	-	
100	76	58	B
120	96	78	

	Order: G63A. d x Form	Material: 1.0503 (CK45)
--	---------------------------------	-------------------------

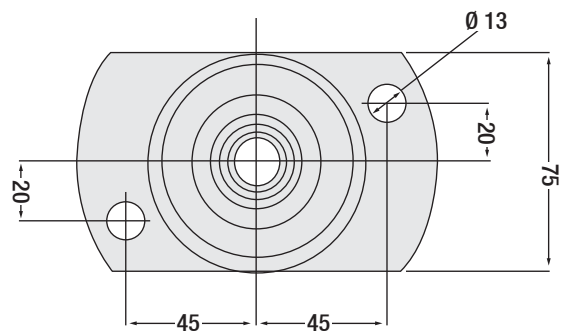
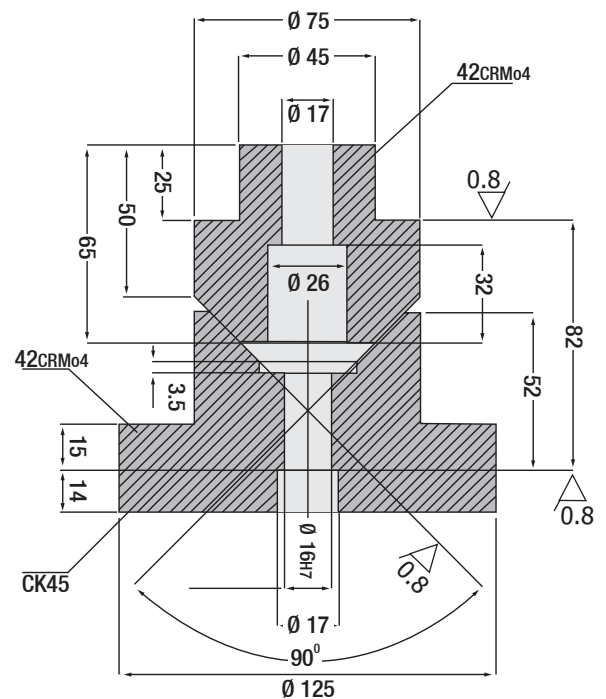


Locating Cone

Code: **G46**

(Custom-made products as per request)

Note: For all dimensions without tolerance according to EN 22768-1 (m), all corners will be chamfered.



	Order: G46	Material: See Technical Drawing
--	-------------------	------------------------------------