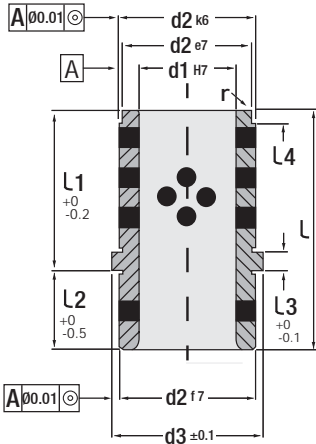




Code: **G26**

Guide Bush with Centre Collar, Self-Lubricating

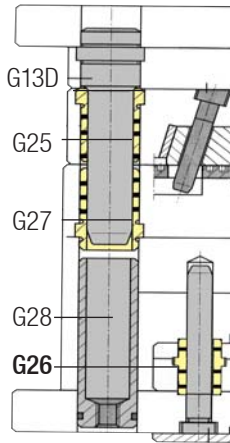
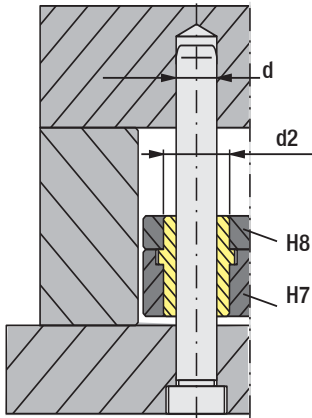


Especially, it can be used in pillar systems of the ejector plates in injection moulds with Guide Pillar without oil groove (G17). Guide bushes are self-lubricating systems.

Heat Resistance: 150° C. It can even work in humid environments.



Mounting Example



Code: **G26**

d1	l	d2	d3	l1	l2	l3	l4	r
14	26	20	25	17	9	6	2	1
16	26	20	25	17	9	6	2	1
20	39	26	31	22	17	6	2	1.5
22	49	30	35	27	22	6	4	1.5
25	49	30	35	27	22	6	2	2
30	63	42	47	36	27	6	2	5
40	63	50	60	36	27	8	6	4
50	92	63	72	55	37	8	6	4



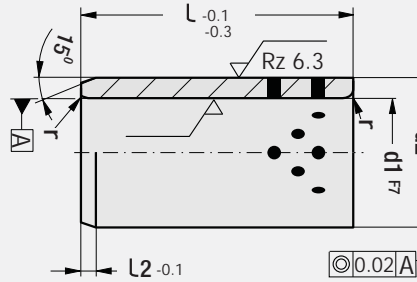
Order: **G26**. d1 x l

Material: Bronze + graphite inserts



Code: **G48**

Guide Bush - Plain, Self-Lubricating



G48 products used in hydraulic press and injection mould machines and especially on plain guide pillars in mould systems.



* Hole tolerance for shrink fit: H7

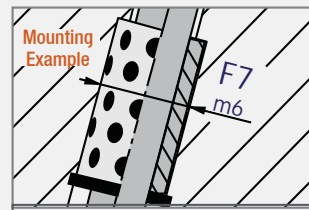
d1	l	d2	l2	r	d1	l	d2	l2	r	d1	l	d2	l2	r	
8	8				20					48	30				
	10	12	2	0.50	25	33					40	60			
	15				24	30	33				50				
10	10				25	35	35	4	0.75	50	60	62	4	1.50	
	12	14	2	0.50	35	40					70	65			
	15				40						80				
	20				50						100				
	25				20	25	38				60	40	74	4	2.00
12	12			35	30				50						
15	15	18	2	0.50	30	35	40	4	0.75	60		75			
20					40	45				80					
30					60					100					
15	12				25					80	40	96	4	2.00	
	16				30						60				
	20				35	50					80	100			
	25	22	2	0.75	38	40	50	4	1.50		100	100			
	30				40	55					120				
16	16				40	55				100	50				
	25				50						60	120			
	30				55						80	140			
	35				60						100				
	40				80						120				
18	20	24			30					120	80	140	4	2.00	
	25				35	55					100				
	30				42						120	170			
	35	28	4	0.75	40	60			1.50		150				
	40				50						120				
20	40				60					160	140	180			
	50	30			60						160				



IMPORTANT!
Self-lub. bushes: The friction surface should be lubricated once in order to activate permanent lubricating at the first use.

Lithium Grease - 1kg.

Order Code: W150206



Order: **G48**. d1 x d2 x l