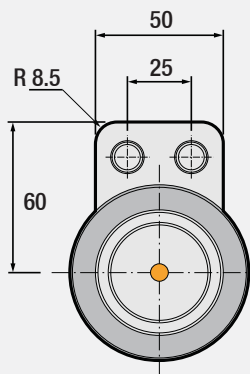


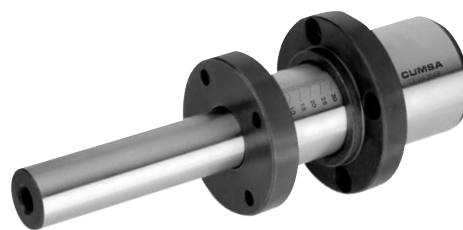
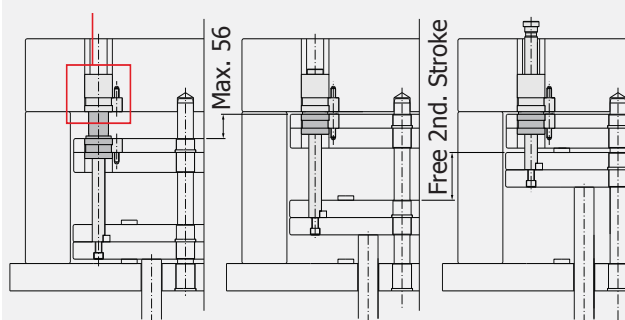
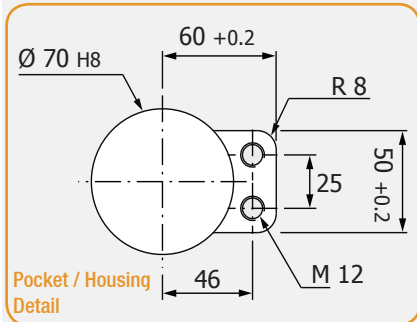
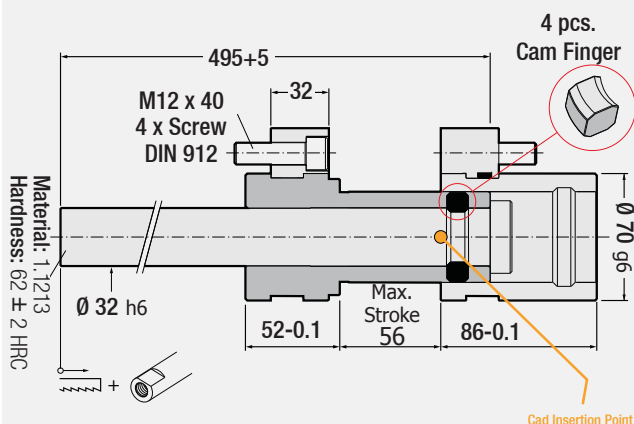


### Compact Double Ejection

Code: **SY**



Developed for medium / large moulds. The upper ejector plate stops when reaching the core plate, and the rear plate continues until it reaches the upper plate. As the assembly of the units is not in the center of the mold, but within the ejector frame, the space required for installation is drastically reduced. Double ejection up to 56mm.

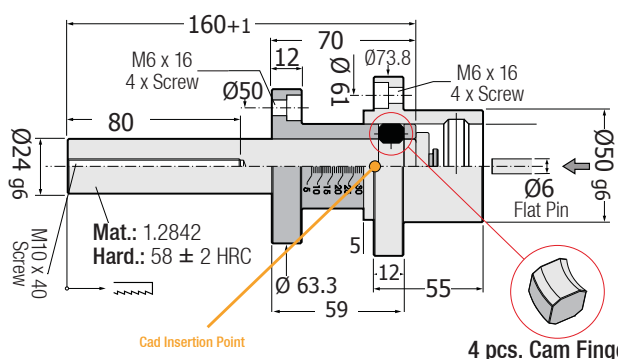


### Two-Stage Ejector System

Code: **DE**

This unit divides the ejection travel in two predefined steps. Useful to obtain automatic ejector strokes in moulds with sprung cores and collapsible cores units. Only round pockets needed to install the part. Double ejector stroke up to 30mm.

Material: 1.7243 Hardness: 58 ± 2 HRC



**IMPORTANT!**  
To determine assembly dimensions, use the scale from 0 to 30mm, to select the first stroke.

Order: **DE.243648**

