



### Recycling Date Stamp

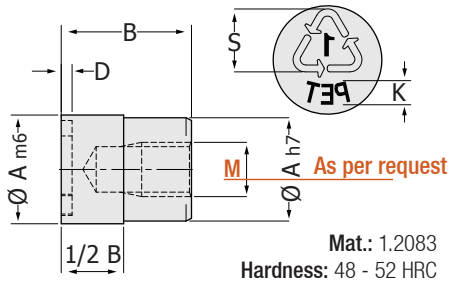
Code: **GDM**

(Plastic raw material data, definition & recycling stamps)

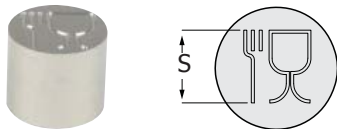
**Text and Definition Characters:** It is for precise sign / mark and definition of plastic raw material that is inlaid in 0.2 depth (conical graduated) processing on moulds in production according to diameters. In Addition, it facilitates to recognize raw material that is about to break.

**Stamp:** It is compatible with DIN 6120 single symbol, ISO 1043-1 normal sign / mark and international codes.

Types	
	Logo GDM01
	Blank GDM02
	PET GDM03
	HDPE GDM04
	PE-HD GDM05
	PVC GDM06
	LDPE GDM07
	PE-LD GDM08
	PE-BD GDM09
	PP GDM10
	PS GDM11
	Other GDM12
	Other (0) GDM13
	Foodmark GDM14

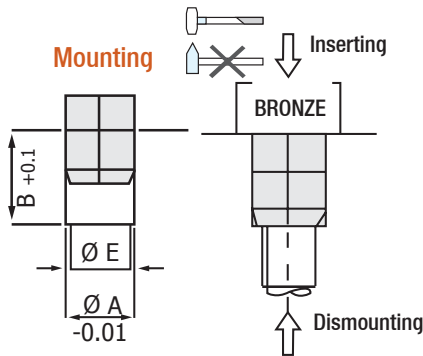


Order	A	B	D	E	K	S	M
GDM... 06	6	10	0.3	6	-	4.0	M4
GDM... 08	8	10		6	-	4.0	M4
GDM... 10	10	12		8	1.6	5.6	M5
GDM... 12	12	12		10	2.0	6.8	M6
GDM... 16	16	14	12	2.6	9.0	M6	
GDM... 20	20	16	16	3.2	11.5	M6	



### Date Stamp for Food Legislation

Order	A	B	D	E	S	M
GDM14.10	10	12	0.3	10	6.10	M5
GDM14.16	16	14		16	9.08	M6
GDM14.20	20	16		20	12.30	M6



- + Production
- + Economic Price
- + High Quality

### Date Stamp - Screwed

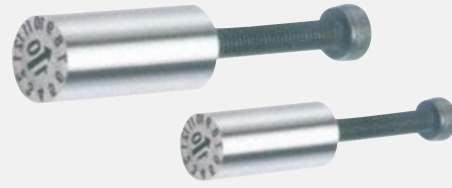
Code: **VKT**

The Date Stamps which are mostly preferred for medium and small dimensional moulds.

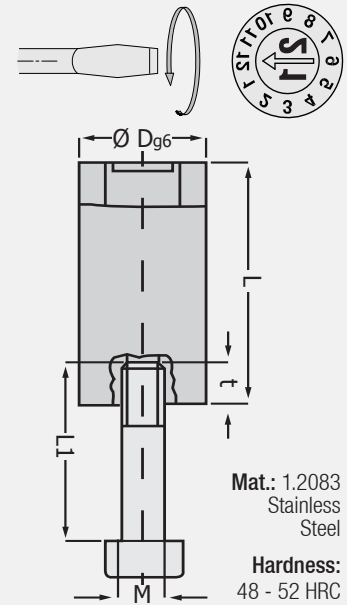
**Easy to mount and can be mounted on tools such as Ejector Pins.**

Rotary inner hub of Date Stamps can be adjusted as limitless (worm gear).

Mounting is completed by pressing on inner hub arrow and pulling with screw from lower part. **We offer wide range of options with our affordable prices.**



Types	
	Month VKT01
	Month + Year VKT02
	Year VKT03
	Weekly VKT04
	Daily VKT05
	Shift VKT06
	Number (figure) VKT07
	Letter from A to M VKT08
	Letter from N to Z VKT09
	Arrowed (blank) VKT10
	Custom-Made VKT11



D	L	t	L1	M
4	12.5	3	4	M2
5	14	3	4	M2.5
6	16	3	4	M3
8	18	4	4	M3
10	22	4	4	M3
12	25	6	6	M4

Order: **VKT (type). D x L**

**Mounting**

Date Stamp "FT" (Cumasa) product should be selected for metal injection moulds which require high temp.