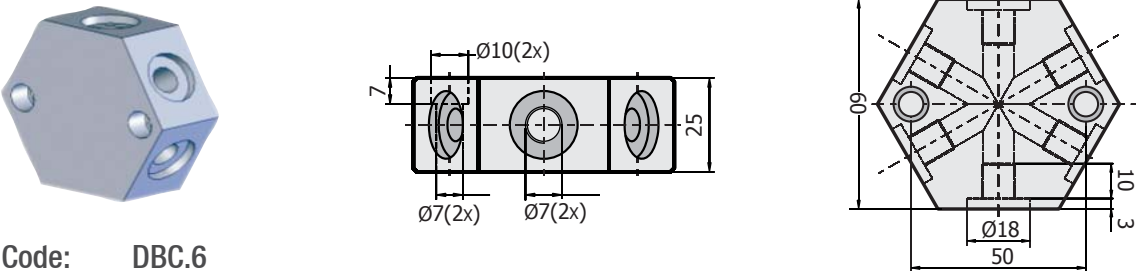


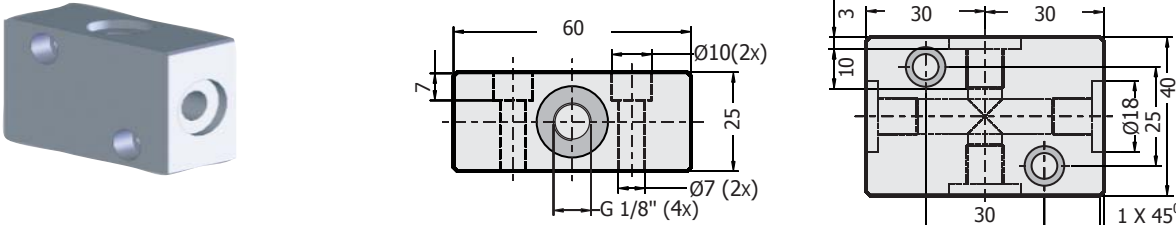
Gas Spring Distribution Blocks

Code: DB



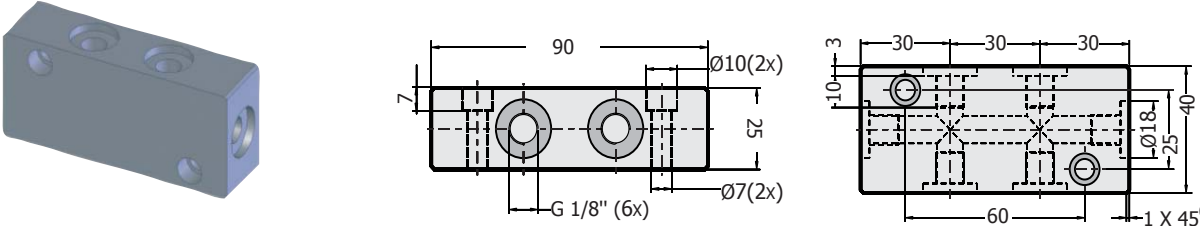
Order Code: DBC.6

Technical drawings show a 3D perspective view of a hexagonal block with six gas spring ports. The side view shows a length of 50, a height of 25, and a thickness of 7. It features two Ø10(2x) ports and two Ø7(2x) ports. The top view shows a hexagonal shape with a width of 50, a height of 10, and a central Ø18 hole. A 3mm chamfer is indicated on the top edge.



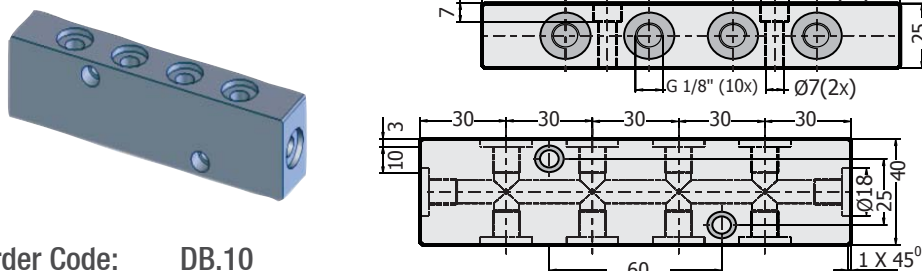
Order Code: DB.4

Technical drawings show a 3D perspective view of a rectangular block with four gas spring ports. The side view shows a length of 60, a height of 25, and a thickness of 7. It features two Ø10(2x) ports and two G 1/8" (4x) ports. The top view shows a rectangular shape with a width of 60, a height of 10, and a central Ø18 hole. A 1 X 45° chamfer is indicated on the top edge.



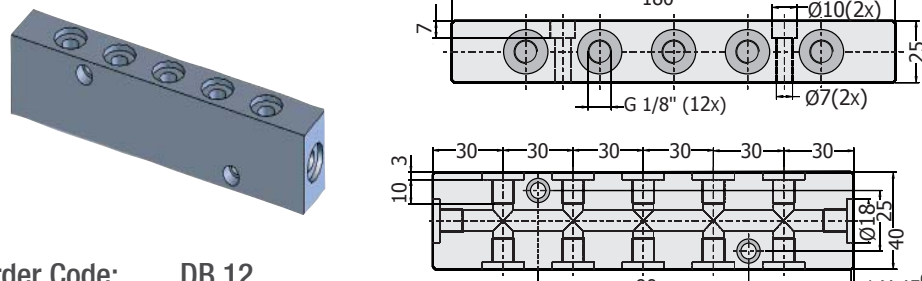
Order Code: DB.6

Technical drawings show a 3D perspective view of a rectangular block with six gas spring ports. The side view shows a length of 90, a height of 25, and a thickness of 7. It features two Ø10(2x) ports and two G 1/8" (6x) ports. The top view shows a rectangular shape with a width of 90, a height of 10, and a central Ø18 hole. A 1 X 45° chamfer is indicated on the top edge.



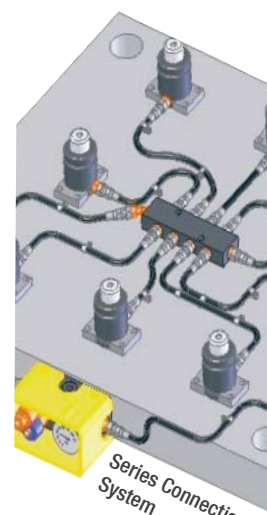
Order Code: DB.10

Technical drawings show a 3D perspective view of a rectangular block with ten gas spring ports. The side view shows a length of 150, a height of 25, and a thickness of 7. It features two Ø10(2x) ports and two G 1/8" (10x) ports. The top view shows a rectangular shape with a width of 150, a height of 10, and a central Ø18 hole. A 1 X 45° chamfer is indicated on the top edge.



Order Code: DB.12

Technical drawings show a 3D perspective view of a rectangular block with twelve gas spring ports. The side view shows a length of 180, a height of 25, and a thickness of 7. It features two Ø10(2x) ports and two G 1/8" (12x) ports. The top view shows a rectangular shape with a width of 180, a height of 10, and a central Ø18 hole. A 1 X 45° chamfer is indicated on the top edge.



Material: CK 45 / Surface Hardened
 "Custom-made production (material) as per request"