

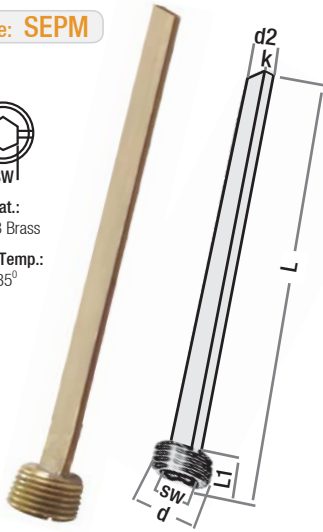
Cooling Baffles & Water Flow Pipes

Baffles are used to direct the flow of water or cooling liquid within the mould. They allow machined water-lines to be separated into multiple channels.

Code: **SEPM**



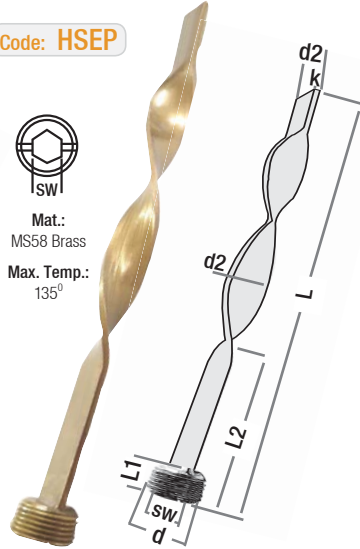
Mat.: MS58 Brass
Max. Temp.: 135°



Code: **HSEP**

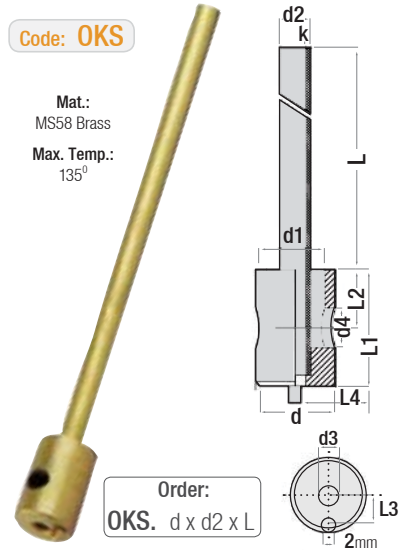


Mat.: MS58 Brass
Max. Temp.: 135°



Code: **OKS**

Mat.: MS58 Brass
Max. Temp.: 135°



Order: OKS. $d \times d2 \times L$

Threaded Flat Baffle

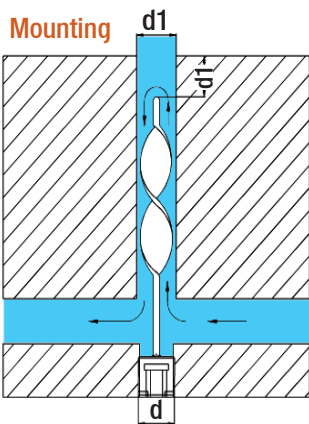
Order	SW	d	d1	d2	L	L1	k
SEPM08100	4	M8 x 0.75	6	5.8	100	8	1.6
SEPM08200					200		
SEPM10100		M10 x 1.0	8	7.8	100	8	1.6
SEPM10125		M10 x 1.5			125		
SEPM10200	5	M10 x 1.0			200		
SEPM10300		M10 x 1.0			300		
SEPM12125		M12 x 1.5	10	9.8	125	8	2.0
SEPM12250					250		
SEPM16150		M16 x 1.5	14	13.8	150	10	2.4
SEPM16300					300		
SEPM20150		M20 x 1.5	18	17.8	150	10	2.4
SEPM20200					200		
SEPM20300					300		
SEPM20400					400		
SEPM24150					M24 x 2.0		
SEPM24300					300		

Threaded Spiral Baffle

Order	SW	d	d1	d2	L	L1	L2	k
HSEP.10100		1/8"	8.5	8.2	100	8	51	1.6
HSEP.10120					120		102	
HSEP.10150					150			
HSEP.10200					200			
HSEP.13100		1/4"	11.5	11.2	100	10	51	2.4
HSEP.13120					120		102	
HSEP.13150					150			
HSEP.13200					200			
HSEP.13250					250			
HSEP.17150		3/8"	15	14.7	150	10	51	2.4
HSEP.17175					175		102	
HSEP.17200					200			
HSEP.17250					250			
HSEP.17300					300			
HSEP.21200		1/2"	18.5	18.2	200	12	76	2.4
HSEP.21400					400		127	
HSEP.26500		3/4"	23.5	23.3	500	12	153	3.2

Water Flow Cooling Pipe

d	d1	d2	d3	d4	L	L1	L2	L3	L4	k
10	4	2.6	2	4	100	16	9	3.5	4	0.3
					200					
10	5	3	2.4	4	100	16	9	3.5	4	0.3
					200					
10	6	4	3	4	100	16	9	3.5	4	0.5
					200					
12	8	5	4	6	160	18	9	4	6	0.5
					315			4.5		
16	12	6	5	6	160	18	9	6	6	0.5
					315					
18	14	8	6	6	160	18	9	7	6	1
					315					
20	16	10	8	8	160	20	10	8	8	1
					315					
25	20	12	10	10	160	25	13	9.5	10	1
					315					



NEW

Cooling Junction Code: **GSK**

Please refer to "page-299" for details of GSK product.

Order Code	d	d1 +0.1	d2 -0.05	d3 -0.05	L1	L-0.2	M	O-Ring
GSK06	06	11.5	11.1	9	10	20	M8	Ø8 x 1.5
GSK08	08	15	14.6	11			M10	Ø11 x 2
GSK10	10	18.5	18.2	13	12	24	M12	Ø13.9 x 2.4