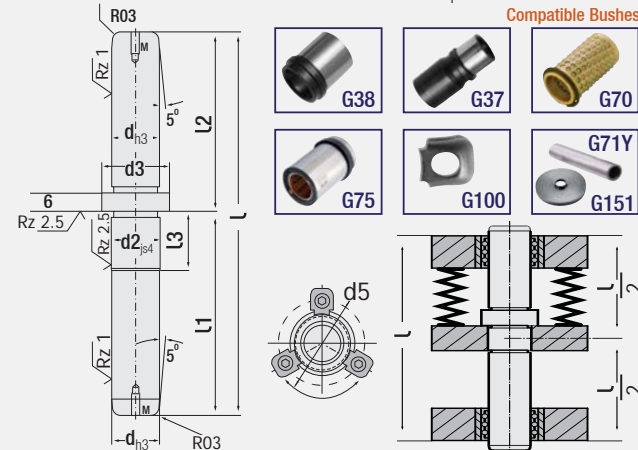




Code: **G08**

**Guide Pillar with Centre Fixing**



Compatible Bushes

Hole tolerance for shrink fit is N5. Fixing place of die guide pillar affects securing lateral load resistance of die bushings. In dies with guide plates or having guide pillar mounted to die from bottom or top, if the distance (L) applying power is equal, bending and rotary values of guide pillars are equal. By securing die guide pillar to the guide plate, there will be important improvements at bending values of pillars. Until the distance (L / 2) between application point of power and fastening surface reduces to half, load lifting capacity is increased **8 times**.

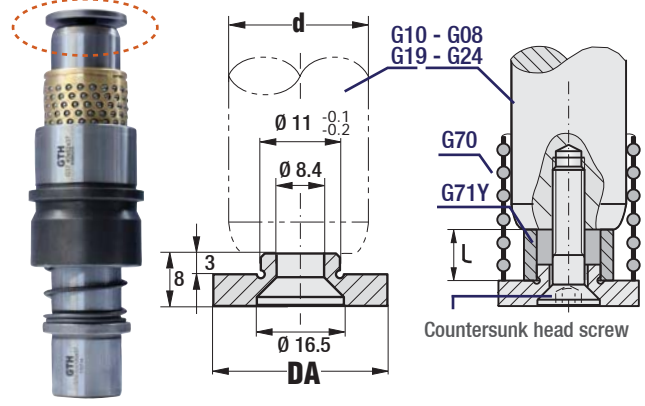
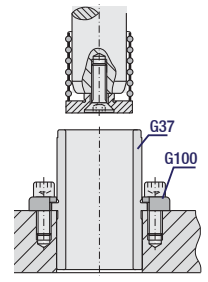
d	l	l1	l2	l3	d2	d3	d5	M
20	160	90	70	19	20.05	26	37.6	M8
	170	100	70					
	180	100	80					
	190	110	80					
	200	110	90					
25	210	110	100	22	25.05	32	44.0	M8
	220	120	90					
	230	120	100					
	240	130	100					
	250	140	110					
30	180	100	80	25	30.05	38	50.4	M8
	190	110	80					
	200	110	90					
	210	120	90					
	220	120	100					
	230	130	100					
40	240	130	110	27	40.05	50	62.8	M8
	250	140	110					
	200	110	90					
	210	120	90					
	220	120	100					
	230	130	100					

Order: **G08. d x l** Material: 1.1213 (Cf53) Hardness: 58 - 62 HRC



Code: **G151**

**Ball Cage Holder Flange**  
(Locking flange for ball cage)

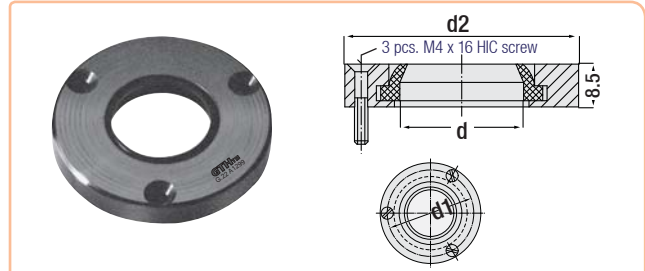


**Holder Flange (locking flange for ball cage)**

In ball cage bush systems, it prevents detaching of cage (G70) from guide pillar during operating. It is practical and provides convenience in die mounting. **In mounting to die:** Spacer tube (G71Y) of ball cage stroke distance and countersunk head screw (HIC) can be adjusted in desired length.

d	DA	Pillar Dia.	d	DA	Pillar Dia.
20	25	Ø 20	50	57	Ø 50
25	30	Ø 25	60	67	Ø 60
30	37	Ø 30	63	70	Ø 63
40	47	Ø 40			

Order: **G151. d** Material: 1.7131 (16MnCr5)



**Perforated Flange** Code: **G22**

Pillar (d)	d1	d2
24	45	55
25	45	55
32	55	65
30	55	65
38	65	75
40	65	75
48	78	94
50	78	94
60	92	110
63	92	110

**Guide Pillar Protection Flange:** Guide pillar protection flange protects dirt to be occurred at dies or thrust etc. Different various usage areas can be created in dies.

Order: **G22. d**