



LIGHT DUTY **HEAVY DUTY**

Stripper Retainers

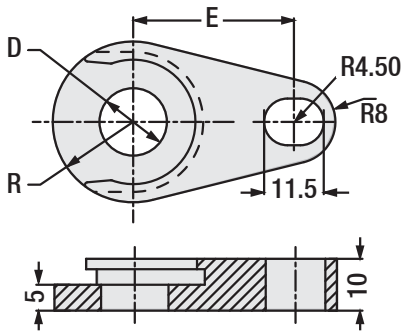
Codes: **MTR / MTM / MTP**

These stripper retainers are adaptable to special multi-hole retainers. Precision machined to assure perpendicularity resulting in prolonged urethane life. Innovative and integral designed, patented cost savings. Retaining feature at once. Exchangeable and compatible with NAAMS standards.

Stripper Retainer

Code: **MTR**

It is used with "GBRT" retainers

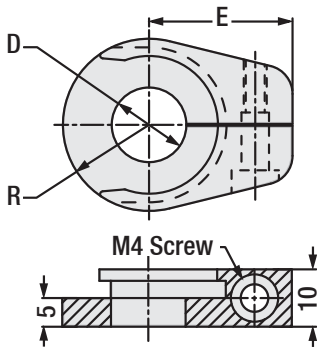


Order	D	R	E
MTR 10	10	13	28
MTR 13	13	15.5	31
MTR 16	16	18	32.9
MTR 20	20	20.5	34.8
MTR 25	25	24	39.8
MTR 32	32	31	41.3
MTR 40	40	36	45

Stripper Retainer

Code: **MTM**

It is used with "MRM" retainers

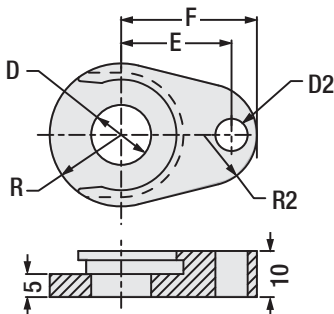


Order	D	R	E
MTM 10	10	13	22.5
MTM 13	13	15.5	25
MTM 16	16	18	27.5
MTM 20	20	20.5	30
MTM 25	25	24	35.5
MTM 32	32	31	37.5
MTM 40	40	36	42.3

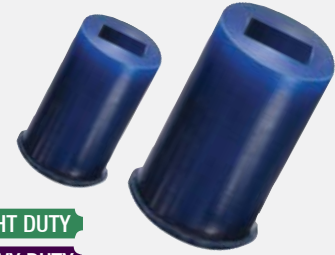
Stripper Retainer

Code: **MTP**

It is used with "MRR" retainers



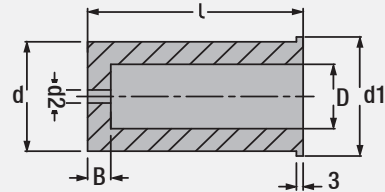
Order	D	R	E	F	D2	R2
MTP 10	10	13	21	26.5	7	10
MTP 13	13	15.5	23.9	29.4	7	11
MTP 16	16	18	24.5	30	7	12.8
MTP 20	20	20.5	29	36	9	11.8
MTP 25	25	24	33.5	40.5	9	12.9
MTP 32	32	31	40.6	49.3	9	8
MTP 40	40	36	44	53	9	8



LIGHT DUTY
HEAVY DUTY

Urethane Stripper

Code: **MTS**



Code: **MTS**

Punch Body	D	d	l	d1	d2	B
10	Ø 9.75	Ø 18	44	Ø 21	1.6	6 mm
			54			
			64			
			74			
13	Ø 12.75	Ø 23	44	Ø 26	3	6 mm
			54			
			64			
			74			
16	Ø 15.75	Ø 28	44	Ø 31	3	6 mm
			54			
			64			
			74			
20	Ø 19.75	Ø 33	44	Ø 36	3	7 mm
			54			
			64			
			74			
25	Ø 24.75	Ø 40	44	Ø 43	3	7 mm
			54			
			64			
			74			
32	Ø 31.70	Ø 50	44	Ø 55	3	7 mm
			54			
			64			
			74			
40	39.70	Ø 60	44	65	3	8 mm
			64			



Order: **MTS. d x l**

Urethane Length for Strippers:

While ordering, please specify punch length.

Heavy Duty Ball Lock Punch Length	Light Duty Ball Lock Punch Length	Recommended Stripper Length "L"
80	71	43 (44)
90	80	52 (54)
100	90	63 (64)
110	100	72 (74)