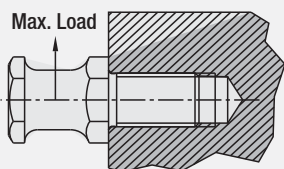
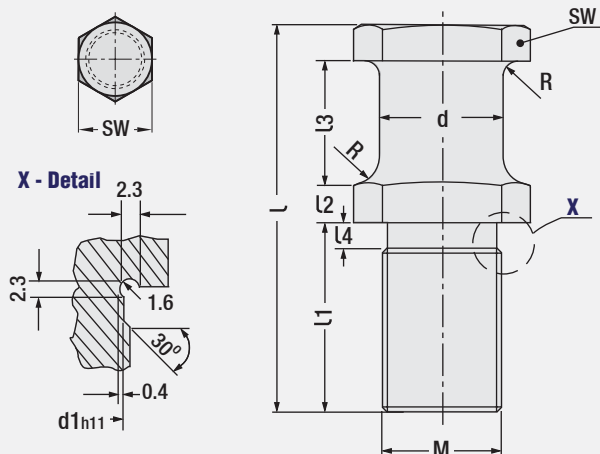




Die Lifting Bolt - Heavy Duty

Code: G47

VDI 3366



It can be mounted on lateral surface of die plate.

Reference:
VDI 3366

When used for transport purpose 4 pcs.
When used for die turning 2 pcs. of bolts are used.
Max. load should not be exceeded during operation.

Code: G47

M Thread	1 Bolt Max. Load Kg.	Ø d	Ø d1	l mm	l1 mm	l2 mm	l3 mm	l4 mm	Radius R	Head SW
M16	250	16	12	58	28	5	20	3	5	24
M20	500	20	16	68	34	6	22	3	5	30
M24	1000	25	19	78	38	8	25	4	6	36
M30	1500	32	24	95	45	10	32	5	6	41
M36	2500	40	30	118	56	12	40	5	8	50



Order: G47. M

Material: CK45
700 - 800 N mm²



Order:
G54. M x d

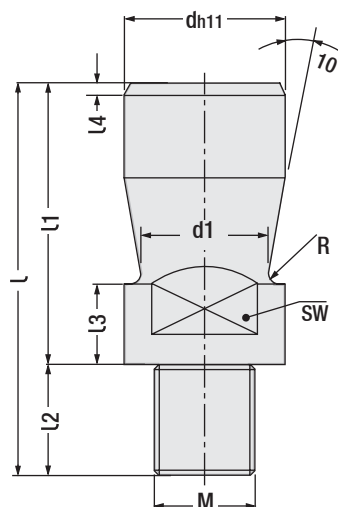
Reference:
DIN ISO 10242 - 1



Die Lifting Bolt

Code: G54

DIN ISO 10242-1



Clamping bolts are components providing connection of upper group of die to the ram group of press. Clamping bolt is mounted to the die by the help of threaded, due to exposed forces such as press counting force etc. it should be mounted to the upper plate very well.

Code: G54

M Thread	Ø d	Ø d1	l mm	l1 mm	l2 mm	l3 mm	l4 mm	r	SW
M16 x 1.5	20	15	58	40	18	12	2	2.5	17
	25	20	68	45	23	16	2.5		21
M20 x 1.5	25	20	68	45	23	16	2.5	2.5	21
	32	25	79	56		16	3		27
M24 x 1.5	32	25	79	56	23	16	3	2.5	27
	40	32	93	70		26	4		4
M27 x 2	40	32	93	70	23	26	4	4	36
M30 X 2	40	32	93	70	23	26	4	4	36
	50	42	108	80	28		5		41
M42 x 3	65	53	128	100	28	26	8	6.5	55