

Traditional Mounting

Single Ejector System



**Automatic Dog Lifter** Code: DB

Designed to function with just one set of ejector plates, saving machining costs and reducing the size of the mould. Undercuts of up to 26mm with just 56mm stroke. This innovative system gives the capability of designing their own insert.

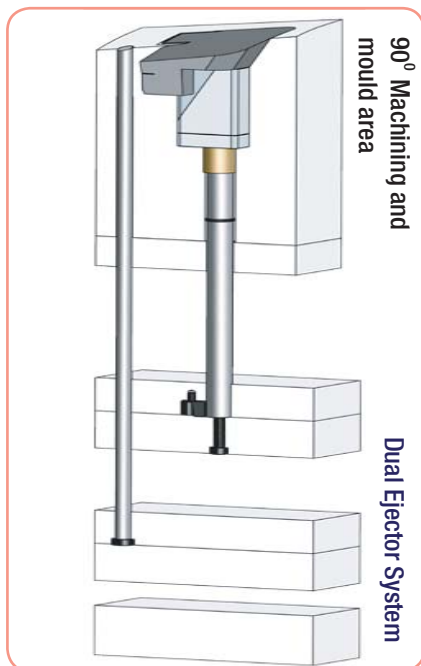
**Material:** PKT-117 **Hardness:** 42 ± 2 HRC.  
Gas Nitrided ≈ 840Hv.



**Dog Lifter Limiter** Code: LD

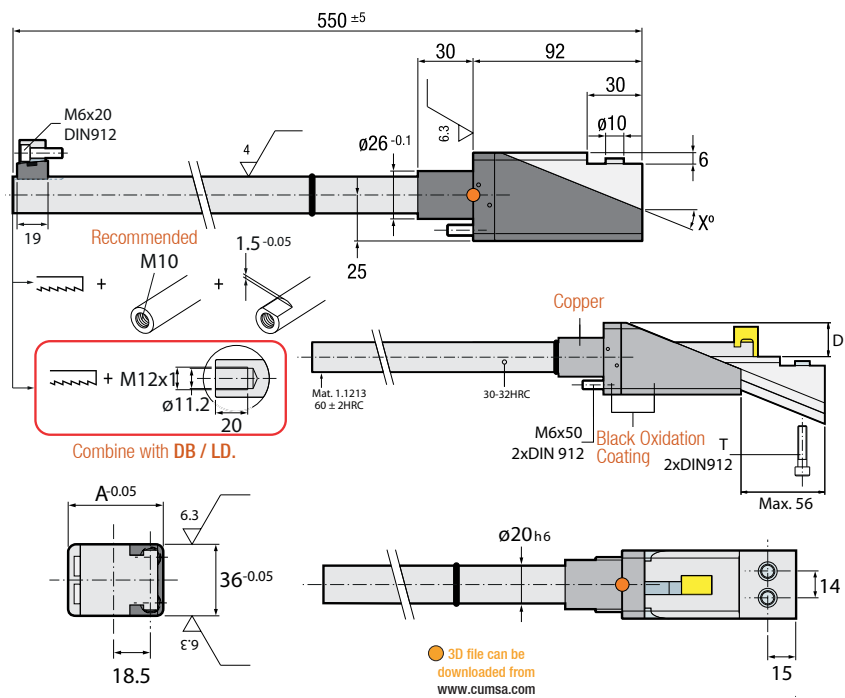
In single ejector plate systems. Limits the stroke of a lifter with respect to the ejector stroke. Enables two stage ejection with only one ejector plate. All movements are 90° to the parting line. Minimum space required for installation.

**Material:** 1.2311 Gas Nitrided ≈ 840Hv.

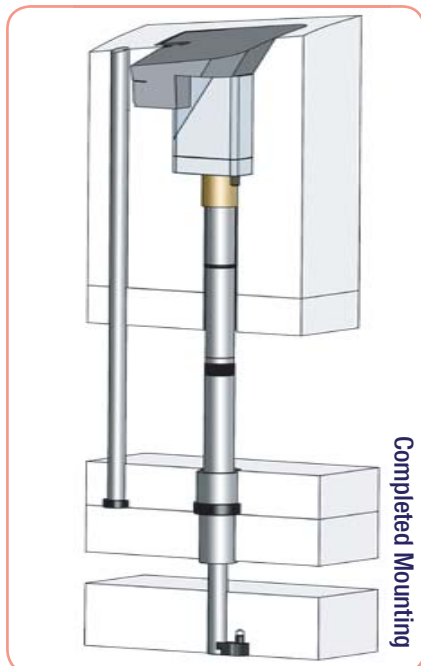


90° Machining and mould area

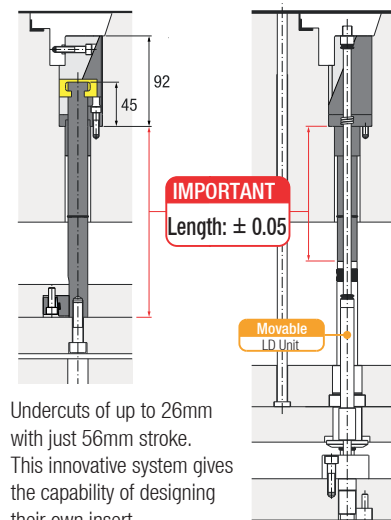
Dual Ejector System



Order	A	D	E	T	X
DB.482292	48	22	35	6x40	22
DB.542792	54	26	41	6x45	26



Completed Mounting



Undercuts of up to 26mm with just 56mm stroke. This innovative system gives the capability of designing their own insert.

Order  
LD.142130  
"DB / LD" order should be given separately

