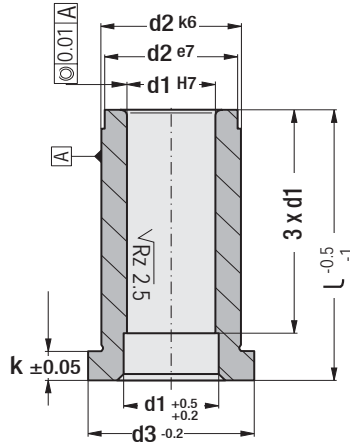




for Turkish Mould Standard

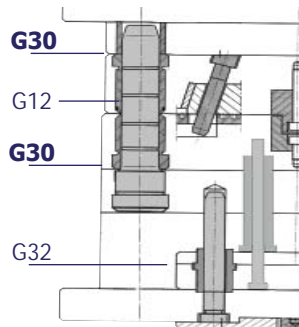


Guide Bush - Headed

Code: G30

| d1 | l | d2 | d3 | k |
|-----------|----|----|----|---|
| 10 | 17 | 14 | 16 | 3 |
| | 27 | | | |
| | 36 | | | |
| | 46 | | | |
| | 56 | | | |
| 12 | 26 | 16 | 19 | 4 |
| | 36 | | | |
| | 46 | | | |
| | 56 | | | |
| | 66 | | | |
| 14 | 26 | 20 | 25 | 6 |
| | 36 | | | |
| | 46 | | | |
| | 56 | | | |
| | 66 | | | |
| | 76 | | | |
| 16 | 26 | 24 | 28 | 6 |
| | 36 | | | |
| | 46 | | | |
| | 56 | | | |
| | 66 | | | |
| | 86 | | | |
| 18 | 26 | 26 | 31 | 6 |
| | 36 | | | |
| | 46 | | | |
| | 56 | | | |
| | 66 | | | |
| | 76 | | | |
| | 86 | | | |
| 20 | 26 | 28 | 32 | 6 |
| | 36 | | | |
| | 46 | | | |
| | 56 | | | |
| | 66 | | | |
| | 76 | | | |
| | 86 | | | |
| | 96 | | | |

| d1 | l | d2 | d3 | k |
|-----------|-----|----|----|----|
| 25 | 26 | 34 | 38 | 8 |
| | 36 | | | |
| | 46 | | | |
| | 56 | | | |
| | 66 | | | |
| | 76 | | | |
| | 86 | | | |
| 30 | 96 | 39 | 43 | 10 |
| | 106 | | | |
| | 116 | | | |
| | 126 | | | |
| | 136 | | | |
| | 146 | | | |
| 40 | 46 | 54 | 58 | 10 |
| | 56 | | | |
| | 66 | | | |
| | 76 | | | |
| | 86 | | | |
| | 96 | | | |
| | 106 | | | |
| | 116 | | | |



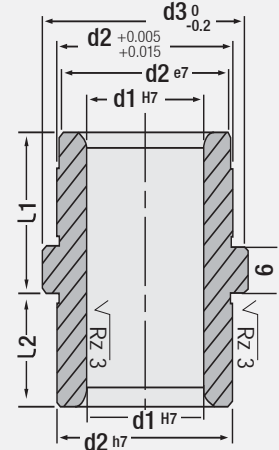
Order: G30. d1 x l

Material: 1.7131 (16MnCr5)
Hardness: 58 - 62 HRC



Guide Bush with Centre Collar

Code: G32

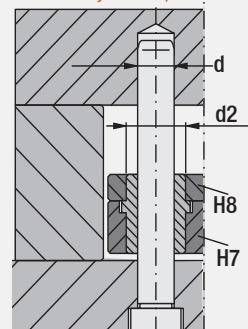


Code: G32

| d1 | l1 | d2 | d3 | l2 |
|-----------|----|----|----|----|
| 12 | 16 | 16 | 19 | 12 |
| 14 | 16 | 20 | 25 | 12 |
| 16 | 16 | 24 | 28 | 12 |
| 18 | 16 | 26 | 31 | 12 |
| 20 | 16 | 28 | 32 | 12 |
| 24 | 21 | 34 | 38 | 16 |
| 25 | 21 | 34 | 38 | 16 |
| 30 | 21 | 39 | 43 | 16 |

Mounting Example

G32 Bushes ensuring the movements of ejector plates in injection moulds be rigid and precise.



Order: G32. d1 x l1

Material: 1.7131 (16MnCr5)
Hardness: 58 - 62 HRC