

HEAVY DUTY

Ball Lock Punch with Ejector, Heavy Duty (Blank type) Code: **BAFZ**

Body and cutting edge are precision ground. Also, full or partial coating can be preferred upon request, by providing resistance against heat and friction on external layer, it solves problems such as winding and cold welding.

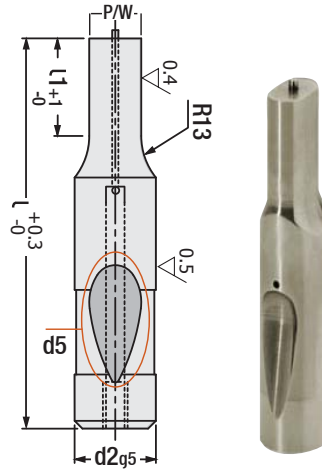
d2	d5	L
Ø 10 mm	10 mm	71
		80
		90
		100
Ø 13 mm	12 mm	71
		80
		90
		100
		125
Ø 16 mm	12 mm	71
		80
		90
		100
		125
Ø 20 mm	12 mm	71
		80
		90
		100
		125

d2	d5	L
Ø 25 mm	12 mm	80
		90
		100
		110
Ø 32 mm	12 mm	125
		80
		90
Ø 40 mm	12 mm	100
		110
		125
		80

Order: **BAFZ. d2 x L**

Material: 1.3343 (M2)
Hardness: 60 - 62 HRC

Note: Special dimensions on request.



HEAVY DUTY

Ball Lock Stepped Punch with Ejector, Heavy Duty Code: **BAF..**

Material: 1.3343 (M2) - Hardness: 60 - 62 HRC

- When P = d2 shank / body tolerances apply.
- Standard ball socket location is at 90°.
- BAF.. Punches conform to NAAMS standards.

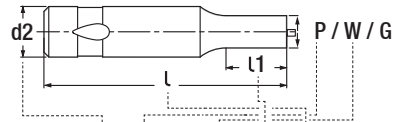
Order d2	Ball Socket d5	Shape		Standard l1	Alternative l1		L mm
		(BAFY) Round P	Other Shapes W G/P		Min.	Max.	
BAF..10	10	2.5 ~ 9.98	2.5 - 10	19	10	19	71
BAF..13	12 mm	5.0 ~ 12.98	4.5 - 13	19	13	25	
BAF..16		8.0 ~ 15.98	6.0 - 16	19	13	25	
BAF..20		12 ~ 19.98	8.0 - 20	19	13	25	
BAF..25		16 ~ 24.98	10 - 25	19	13	25	
BAF..32		24 ~ 31.98	12 - 32	19	13	25	
BAF..40		30 ~ 39.98	14 - 40	25	19	30	110
							125

Order Codes: **BAFY - BAFO - BAFK - BAFD - BAFA - BAFM - BAFX - BAFP**

Please refer to the table on the right side →

How to order:

Shape
d2
P/W
l1
L
Material



BAFY x 10 x P7.3 x 19 x 100 - M2
BAFO x 13 x P8.2 x W6.1 x 19 x 100 - M2

Standard Tolerances

Round P +0.1 / -0.0 $\text{⊙} 0.1$ From P to d2
Shape P, W, G ± 0.1 $\text{⊙} 0.2$ From P to d2

Standard position of ball socket is 90°. It can be preferred as 0° - 180° - 270°.

Note: Parts are viewed in die position looking from above the die. Punches are viewed looking through the body. Matrixes are viewed through top face.

Shapes

