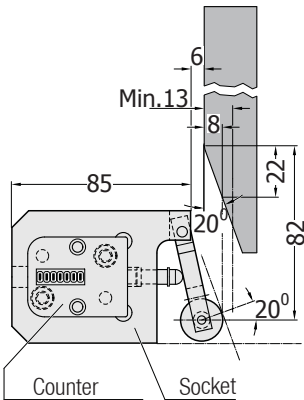
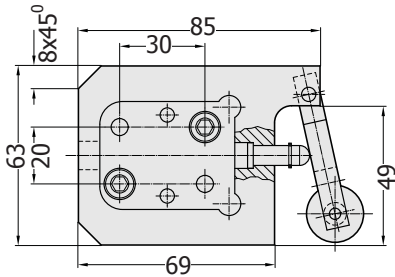
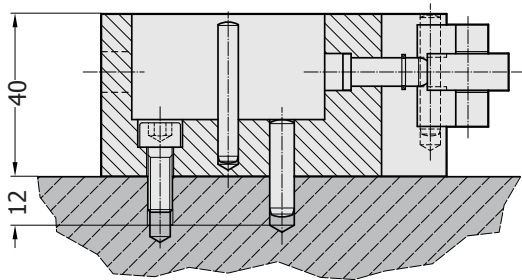
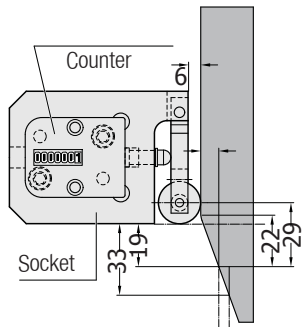


Installation Socket for Cycle Counter Code: G124.1



Mounting:
Please fix cycle counter in the hole of socket and use 2 pcs. of cylinder head cap screws and dowel pin.

Operation Mode:
Cycle counter is non-detachable when mounted.



Order: G124.1

Mechanical Counters



Professional Type
* 5 - digit
* Overhead pulsative
* Side zeroing

Order: RS207



Economic Type
* 5 - digit
* Overhead pulsative
* Side zeroing

Order: 13701



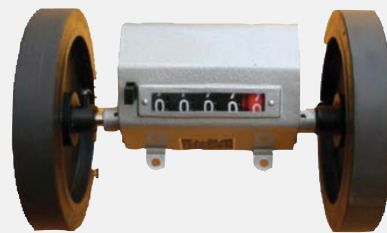
Economic Type
* 5 - digit
* Overhead pulsative
* Side zeroing

Order: D29003



Economic Type
* 5 - digit
* Pulling Counter
* Knob Type

Order: D29002



Counter
* 5 - digit
* With the rubber wheel for meter

Order: D29001