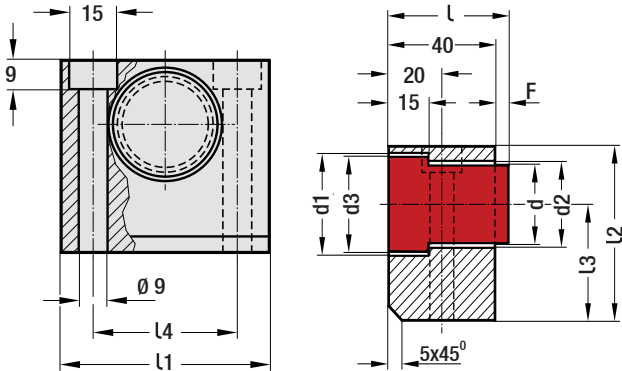




Slide Stop Block

Code: **G97**

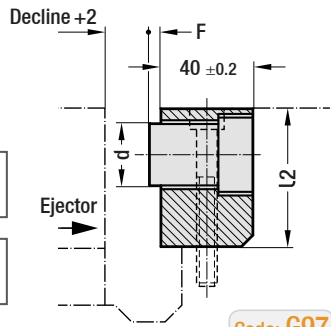
Note: Fixing screws (M8 cylinder head cap screws) should be provided separately.



Reference:
BMW - Ford - VW - Audi

Order: **G97. L1**

Material: CK45 Steel
Polyurethane 90 Shore



Code: **G97**

L1	Load N	d	d1	d2	d3	L	l1	l2	l3	l4	F
65	5200	27	35	30	34	45	65	60	40	45	5
75	9800	36	45	40	44	45	75	70	45	55	5

Slide Stopper

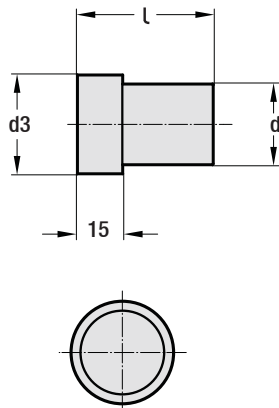
Code: **G97A**



Slide stopper for is 90 Shore.
Used with slide stop block.

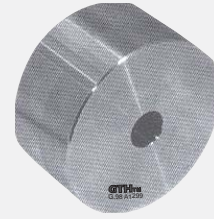
d	d3	L
27	34	45
36	44	45

Order: **G97A. d**



Cylinder Stopping Block

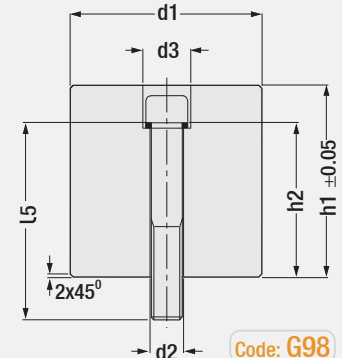
Code: **G98**



Note: Fixing screws should be provided separately.

Order: **G98. d1**

Material: 1.7131 (16MnCr5)
Hardness: 60 - 64 HRC



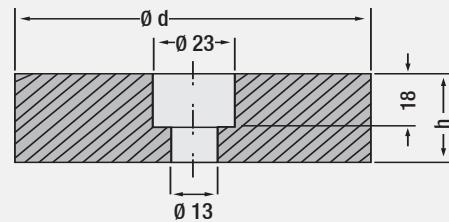
Code: **G98**

d1	Screw	d2	d3	h1	h2	L5
40	M.10	11	18	30 ~ 60	20	30 - 40
60	M.12	14	20	40 ~ 80	22	40 - 50
80	M.12	14	20	56 ~ 100	42	50 - 60
100	M.16	18	26	80 ~ 160	62	80
120	M.20	22	33	104 ~ 160	82	100
150	M.20	22	33	124 ~ 160	102	120



Cylinder Stopping Block

Code: **G98B**



Reference: FCA

Code: **G98B**

d	h
Diameter 80 mm	Thickness 25 mm
Diameter 80 mm	Thickness 30 mm
Diameter 100 mm	Thickness 25 mm
Diameter 100 mm	Thickness 30 mm
Diameter 120 mm	Thickness 25 mm
Diameter 120 mm	Thickness 30 mm

Order: **G98B. d x h**

Material: 1.7131 (16MnCr5)
Hardness: 60 - 64 HRC