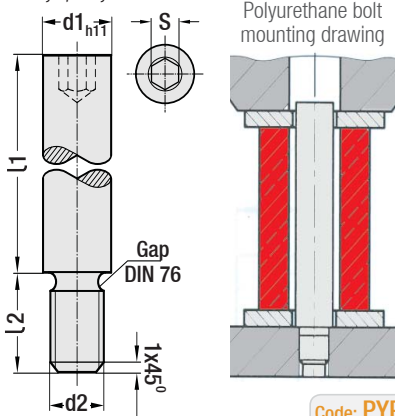




Code: PYP

### Guide Bolt for Polyurethane Spring

During guiding of polyurethane springs, countersunk allen head metric thread connected guide bolts can be used as single spring as well as cluster by dividing springs.



Code: PYP

d1	l1	d2	l2	S	Spring Ø
Ø 6 mm	20	M4	6 mm	3	Ø 16 x 6.5
	25				
	32				
Ø 8 mm	25	M6	9 mm	4	Ø 20 x 8.5
	32				
	40				
Ø 10 mm	50	M8	15 mm	5	Ø 25 x 10.5
	63				
	80				
	95				
Ø 13 mm	32	M10	15 mm	6	Ø 32 /40 x 13.5
	40				
	50				
	63				
	80				
Ø 16 mm	32	M12	18 mm	8	Ø 50 /63 x 17
	40				
	50				
	63				
	80				
	95				
Ø 20 mm	40	M16	25 mm	10	Ø 80 /100 x 21
	50				
	63				
	80				
	95				
	140				

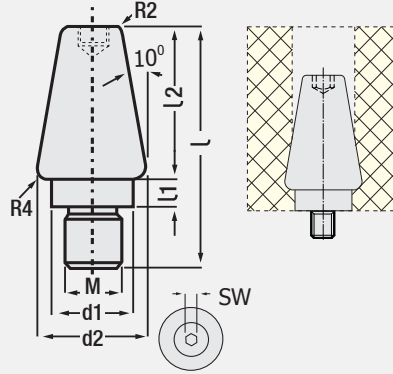
Order: PYP. d1 x l1

Material: CK45



Code: PSP

### Locating Bolt for Polyurethane Spring



M	l	d1	d2	l1	l2	SW	Spring Ø
M12	56	19	28	8	30	6	63
M16	74	22	32	10	40	8	80-100
M20	100	28	38	15	55	10	125-140

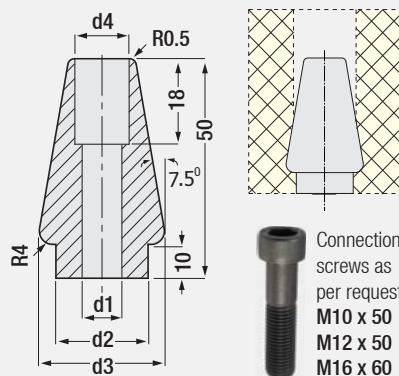
Order: PSP. M x l

Material: 1.7131 (16MnCr5)



Code: PMV

### Locating Pin for Polyurethane Spring



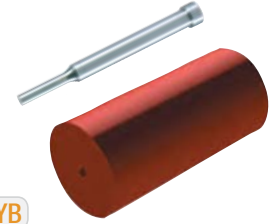
Connection screws as per request:  
M10 x 50  
M12 x 50  
M16 x 60

Upper screwed locating pins for polyurethane springs

M	d1	d2	d3	d4	Spring Ø
M10	11	18	28	17	63
M12	13.5	22	32	19	80-100
M16	17.5	28	38	25	125

Order: PMV. M

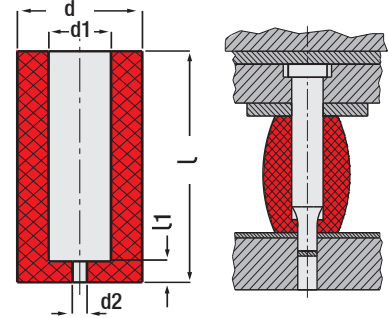
Material: 1.7131 (16MnCr5)



Code: PYB

### Polyurethane Punch Stripper

Overspread on punch (shock absorber)



In dies that polyurethane punch stripper is used, there is no need to dismantle stripper plate to make repair whetting and modification on die components, there is not any effect on precise parts, it is excellent for all painted / anodized, plastic plated and polished parts. It is compatible to use with oil and grease.

It is overspread on punch. Placement is done according to the stripper hardness. There is no need for extra holder. Stepped-punch hole will be opened at the first stroke of press on stripper edge.

Especially, in large dies requiring very wide stripper plate, this product is very compatible.

Code: PYB

Order	d1 Ø	d Ø	d2 Ø	l1 mm	l mm	Punch Length
PYB.445	4.0	17	1.6	5.0	45	56 / 63
PYB.655	6.0	19				
PYB.855	8.0	21	3.0	5.0	55	63 71 80 90
PYB.1055	10	23				
PYB.1355	13	26				
PYB.1655	16	30				
PYB.2055	20	38	Punch Hole	5.0	55	100
PYB.2555	25	50				

d2: (1.6 - 3.0 mm) (d1) while opening hole diameter / drilling, polyurethane (punch) bush should be applied and drilled in pressed (S max) position. Spring load is obtained while extending outwards.

In S. max flexion, load coefficient data daN / Kg.

d mm	17	19	21	23	26	30	38	50
S daN	60	65	70	90	110	140	210	370
3 mm daN								
S daN	115	120	130	160	190	230	360	650
6 mm daN								
S daN	-	180	210	240	300	370	550	1020
9 mm daN								

S max: Load coefficient daN = Kg. / (10 newton), while polyurethane bush S max in pressed, load data is advisory.