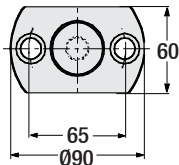
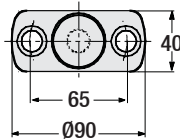


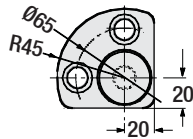
Form A



Form B



Form C



Air Pin VDI 3002

Code: **G69B**

l
150 mm
155 mm
160 mm
165 mm
170 mm
175 mm
180 mm
185 mm
190 mm
195 mm
200 mm
205 mm
210 mm

l
215 mm
220 mm
225 mm
230 mm
235 mm
240 mm
245 mm
250 mm
255 mm
260 mm
265 mm
270 mm

l
275 mm
280 mm
285 mm
290 mm
295 mm
300 mm
310 mm
320 mm
330 mm
340 mm
350 mm
360 mm

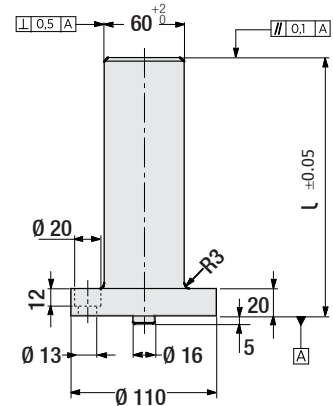
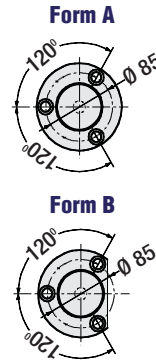
Material: CK45
800 ÷ 1000 N/mm² Forged

Max. Load (kN): 50



Order: **G69B. l . Form**

Order Example:
G69B.160.C



Air Pin

Code: **G69-1**

Order Code	Form	Max. Load kN	l
G69-1.A. (L)	A	80	optional
G69-1.B. (L)	B	80	optional

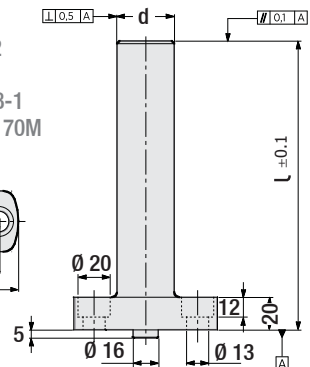
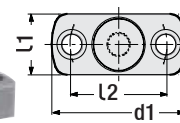
Material: CK45
800 ÷ 1000 N/mm² Forged

The length (l) is specified by the customer.

Order Example:
G69-1.A.400



Reference:
BMW B2 2615 12
OPEL F33 15
VW AUDI 39D 638-1
FORD WVDX 17 - 70M



Air Pin

Code: **G69**

Order Code	d	d1	l1	l2	Max. Load kN	l
G69-36. (L)	36	90	40	65	50	optional
G69-45. (L)	45	100	50	75	70	optional

Material: CK45
800 ÷ 1000 N/mm² Forged

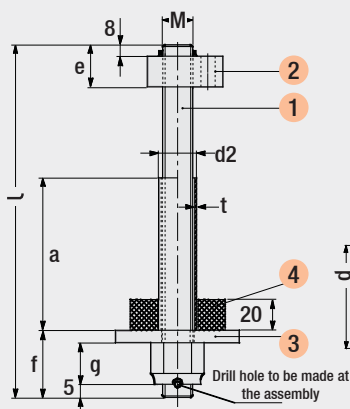
The length (l) is specified by the customer.

Order Example:
G69-36.200

NEW

Retainer Bolt
FCA - FORD

Code: **G169**



Order Code	M	d	d1	d2	e	f	g	l1	l2	l3	l4	t	Max. Load (kg)
G169.M16. (L . a)	M16	65	50	22	28	30	19	50	35	20	20	2	250
G169.M20. (L . a)	M20	82	63	25	28	35	22	50	40	20	20	2	450
G169.M24. (L . a)	M24	105	80	30	28	42	27	50	45	20	20	2.5	750
G169.M30. (L . a)	M30	130	100	38	33	50	33	63	50	28	26	2.5	1250

- 1 Material: 1.6511
Screw: 8.8
- 2 Material: St 37
- 3 Material: CK45
- 4 Material: Polyurethane
92 Shore

Order Example:
G169.M16.200.160

The lengths (l and a) are specified by the customer.

* Please pay attention to the Max. Load.