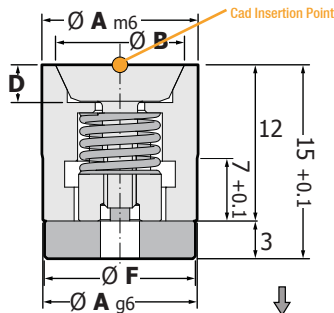


Air Valve for High Pressure

Code: **VH**

Developed for high injection pressures and high speed cycles. Incorporates an internal stopper to sustain injection loads, preventing the system to block. Keyed unit to allow the installation in angled or shaped surfaces. Easy installation thanks to its adjusting ring, as well as allowing uninstallation if needed.

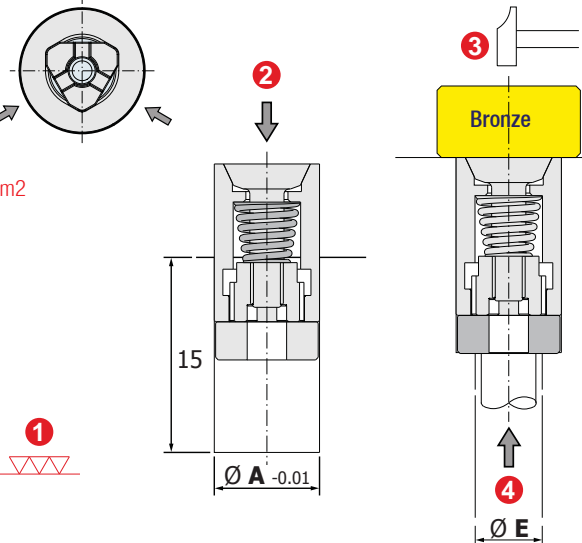
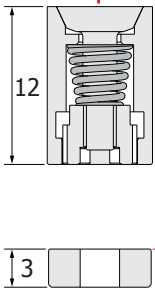
Material: INOX 1.4034
Hardness: 51 ± 3 HRC
Max. working temp.: 150°
Working pressure: 2-10 Bar
 1 Bar ≈ 1 Kg. / cm²



Order	A	B	D	E	F	H
VH.065215	6	5.3	1.9	4	5.8	0.25
VH.086515	8	6.7	2.1	5	7.8	0.75
VH.121015	12	9.8	2.9	5	11.8	1.0

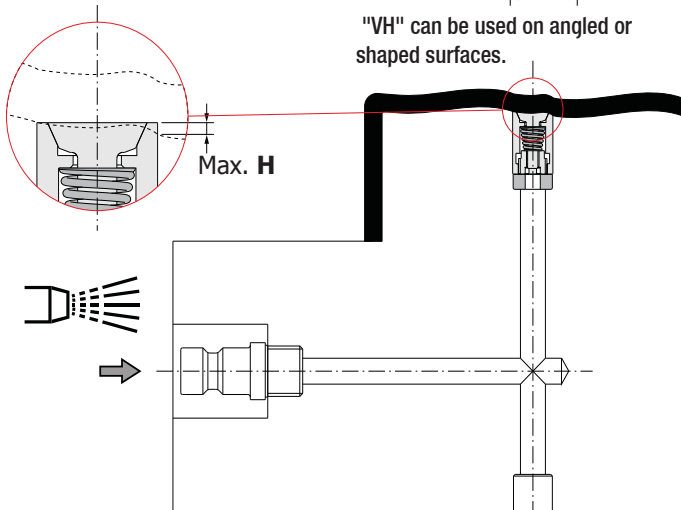
Triple air entrance to ensure balanced opening.

Maximum Injection Pressure: 2500 Kgs / cm²



"VH" can be used on angled or shaped surfaces.

IMPORTANT! Maximum machining allowed



Air Poppet Valve

Code: **VA**

Manufactured completely from stainless steel this unit has the advantage of high airflow. Helps part ejection with air. Recommended working under 150°C (302°F). Above that temperature, steel starts dilatation, so the resort introduced on the Air Valve would lose efficiency. If so, the plastic material could go in and the Air Valve would be damaged.

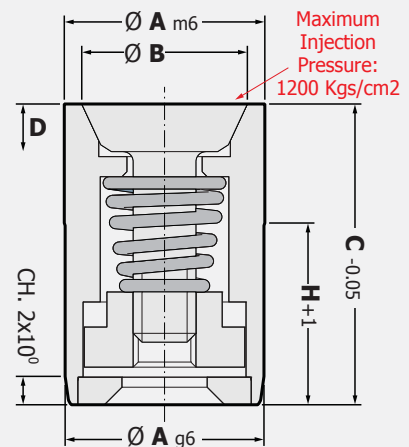
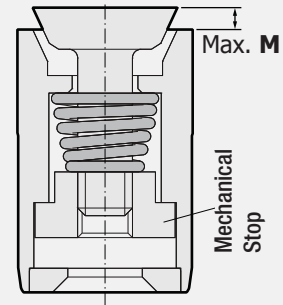
Material: INOX 1.4034

Hardness: 51 ± 3 HRC

Max. working temp.: 150°

Min. working pressure: 3 Bar

1 Bar ≈ 1 Kg. / cm²



Code: **VA**

Order	A	B	C	D	E	H	M
VA.050412	5	3	12	1.5	4	7	2.5
VA.065212	6	5.2	12	1.5	4	7	0.95
VA.086512	8	6.5	12	1.5	4	7	0.95
VA.100812	10	8	12	2	8	7	0.95
VA.121012	12	10	12	2.5	10	7	0.95
VA.161320	16	13	20	3	12	12	1.55
VA.201720	20	17	20	3.5	16	12	1.55

* Product **VA.050412** does not contain mechanical stop.